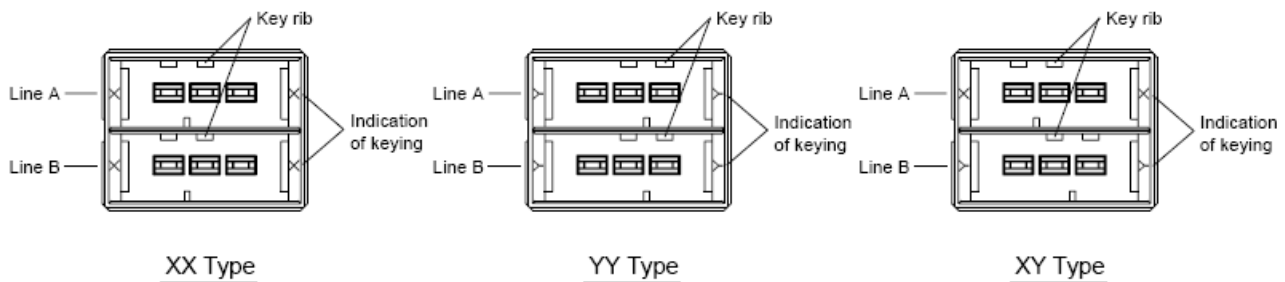


JFA CONNECTOR J300 SERIES

Disconnectable Crimp style connectors (Wire-to-board/Wire-to-wire)








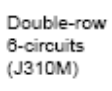




Keying

J310M series have mis-insertion preventive keying.
Available in 3 types – XX type, YY type and XY type.
(Headers viewed from the mating side are shown below.)



List of combinations

With the combination of the J310M headers and the J310M/J310S receptacle housings, the following modular combination are possible.

Receptacle housing		Header			
		Top entry type		Side entry type	
Single-row 3-circuits (J310S) 	<u>X Type</u> F31FSS-03V-KX		<u>X Type</u> B03B-F31SK-GGXIII		<u>X Type</u> S03B-F31SK-GGXIII
	<u>Y Type</u> F31FSS-03V-KY		<u>Y Type</u> B03B-F31SK-GGYIII		<u>Y Type</u> S03B-F31SK-GGYIII
Double-row 6-circuits (J310M) 	<u>XX Type</u> F31FMS-06V-KXX		<u>XX Type</u> B06B-F31MK-GGXIII		<u>XX Type</u> S06B-F31MK-GGXIII
	<u>YY Type</u> F31FMS-06V-KYY		<u>YY Type</u> B06B-F31MK-GGYIII		<u>YY Type</u> S06B-F31MK-GGYIII
	<u>XY Type</u> F31FMS-06V-KXY		<u>XY Type</u> B06B-F31MK-GGYIII		<u>XY Type</u> S06B-F31MK-GGYIII