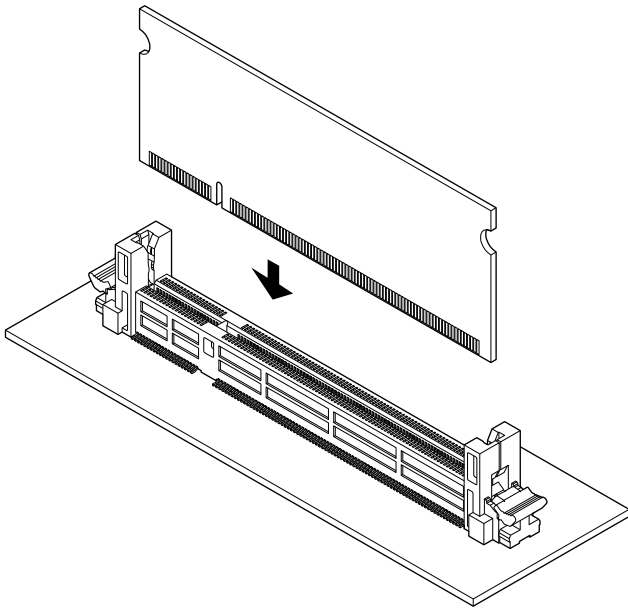




DM-200P CONNECTOR

0.6 mm pitch/Socket for DDR/DDR2 S.O.DIMM



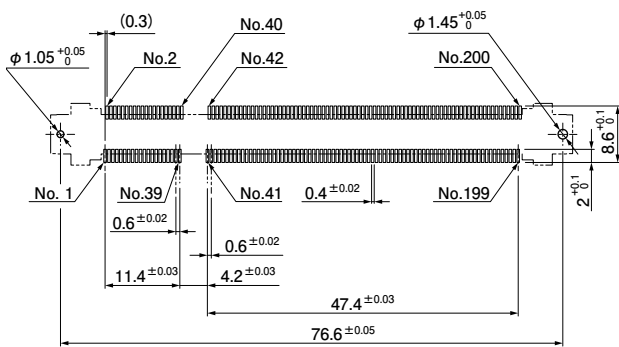
Socket for DDR/DDR2 S.O.DIMM 200 circuits complying with JEDEC MO-224 standard.

- Easy module inserting/ejecting
- 14.0 mm height
- Compatible with S.O.DIMM of DDR/DDR2

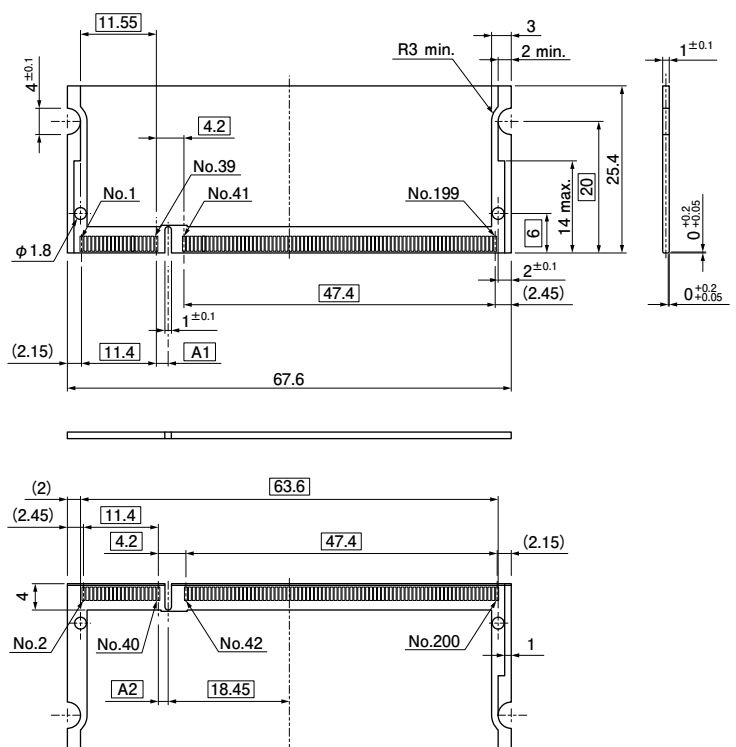
Specifications

- Current rating: 0.3A AC/DC
 - Voltage rating: 25V AC/DC
 - Temperature range: -25°C to +85°C
(including temperature rise in applying electrical current)
 - Insulation resistance: 125 MΩ min.
 - Withstanding voltage: 125 VAC/minute
- * In using the products, refer to "Handling Precautions for Terminals and Connectors" described on our website (Technical documents of Product information page).
- * RoHS2 compliance
- * Dimensional unit: mm
- * Contact JST for details.

PC board layout (Common)



Applicable PC board layout (Reference)



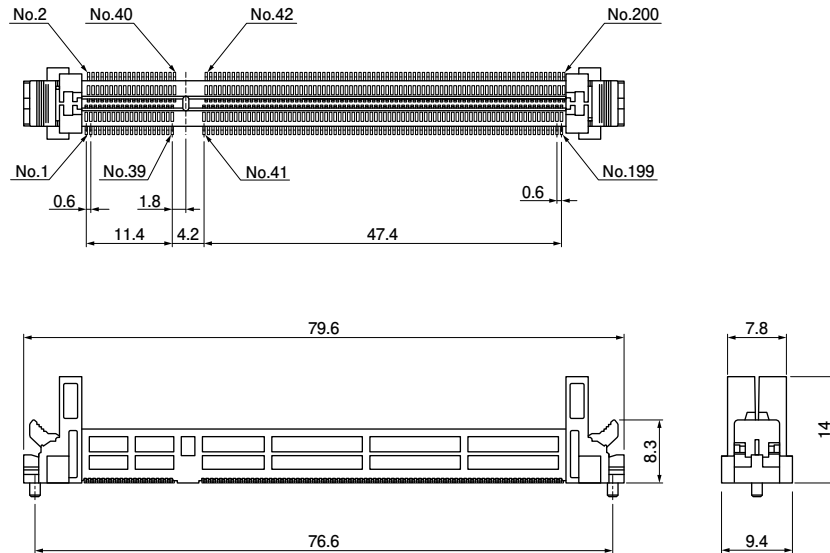
Note: The dimensions above should serve as a guideline.
Contact JST for details.

Applicable DIMM	A1	A2
Complying with JEDEC (MO224) DDR SDRAM S.O.DIMM 200P (2.5V)	1.8	1.5
Complying with JEDEC (MO224) DDR2 SDRAM S.O.DIMM 200P (1.8V)	2.7	2.4

DM-200P CONNECTOR

Connector

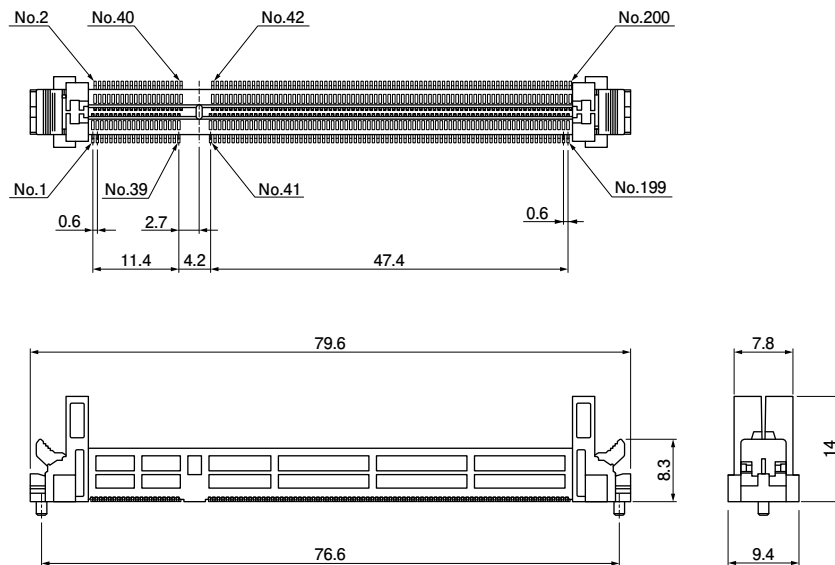
For DDR
(Operating voltage 2.5V)



Model No.	Material and Finish	Q'ty/box
DM-6D4-B2500	Contact: Copper alloy, nickel-undercoated, gold-plated Housing: Heat resisting resin, UL94V-0, black Ejector: Heat resisting resin, UL94V-0, blue	224

RoHS2 compliance

For DDR2
(Operating voltage 1.8V)



Model No.	Material and Finish	Q'ty/box
DM-7D4-H2500	Contact: Copper alloy, nickel-undercoated, gold-plated Housing: Heat resisting resin, UL94V-0 Ejector: Heat resisting resin, UL94V-0	224

RoHS2 compliance