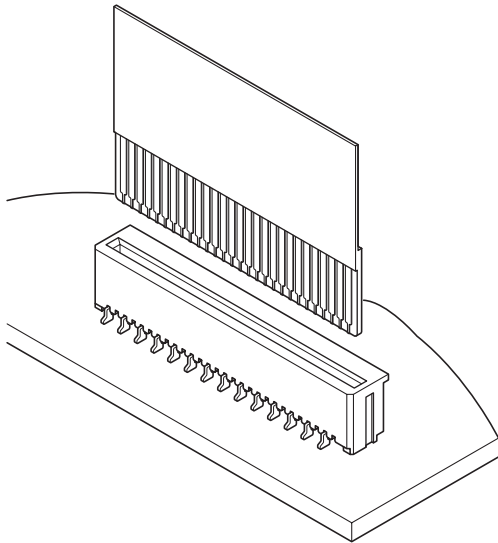


# FHT CONNECTOR

0.5mm pitch/Connectors for FFC and FPC



- Adopting Non-ZIF type  
(engagement can be done by single action.)
- Achieving Low profile and Space saving
- Dealing with Halogen-free

## Specifications

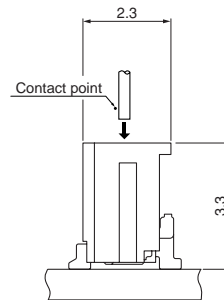
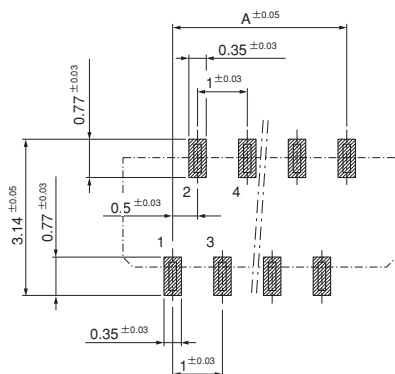
- Current rating: 0.5 A AC, DC
- Voltage rating: 50 V AC, DC
- Temperature range: -25°C to +85°C  
(including temperature rise in applying electrical current)
- Contact resistance: Initial value/ 40 mΩ max.  
After environmental tests/ 60 mΩ max.
- Insulation resistance: 50 MΩ min.
- Withstanding voltage: 200 VAC/minute
- Applicable FFC: Conductor pitch/ 0.5 mm  
Conductor width/ 0.3 mm  
Mating part thickness/ 0.3 ± 0.05 mm

- \* Confirm the applicability the connector with the FPC used, before use.
- \* Refer to "General Instruction and Notice when using Terminals and Connectors" at the end of this catalog.
- \* Contact JST for details.
- \* Compliant with RoHS.

## Standards

Recognized E60389

## PC board layout and Assembly layout

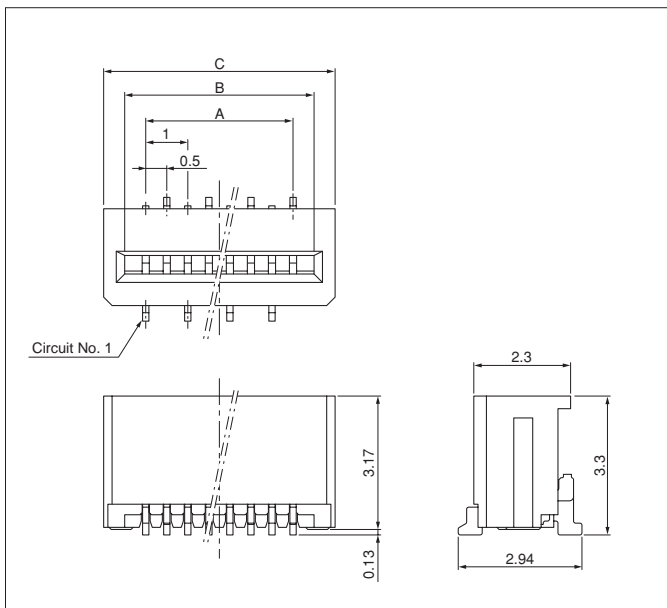


Note: 1. The above figure is the figure viewed from the connector mounting side.

2. Tolerances are non-cumulative: ±0.05 mm for all centers. The dimensions above should serve as a guideline. Contact JST for details.

# FHT CONNECTOR

## Connector



Circuits	Model No.	Dimensions (mm)			Q'ty/ reel
		A	B	C	
12	<b>12FHT-SMR-GAN-TF(HF)</b>	5.5	6.5	7.5	3,000
14	<b>14FHT-SMR-GAN-TF(HF)</b>	6.5	7.5	8.5	3,000
20	<b>20FHT-SMR-GAN-TF(HF)</b>	9.5	10.5	11.5	3,000
22	<b>22FHT-SMR-GAN-TF(HF)</b>	10.5	11.5	12.5	3,000
24	<b>24FHT-SMR-GAN-TF(HF)</b>	11.5	12.5	13.5	3,000
28	<b>28FHT-SMR-GAN-TF(HF)</b>	13.5	14.5	15.5	3,000
32	<b>32FHT-SMR-GAN-TF(HF)</b>	15.5	16.5	17.5	3,000

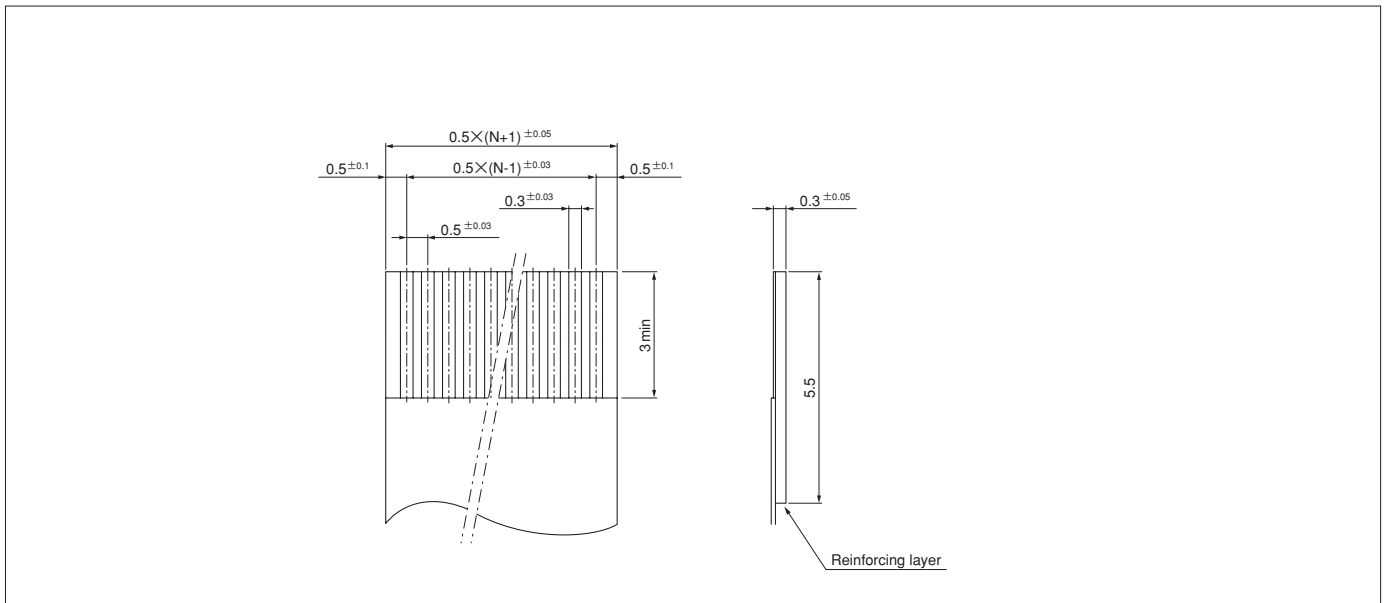
### Material and Finish

Contact: Copper alloy, nickel-undercoated, gold-plated (nickel-stripe)  
Housing: LCP, UL94V-0

### RoHS compliance

Note: The products listed above are supplied on embossed-tape.

## Lead section dimensions of FFC



Note: N --- Number of circuits