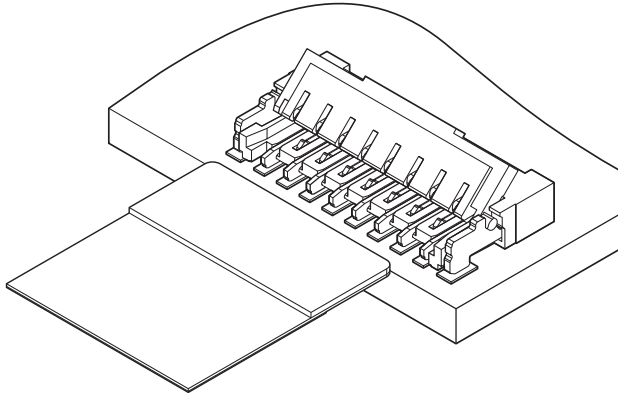


# FXVL CONNECTOR

0.3mm pitch/Connectors for FPC



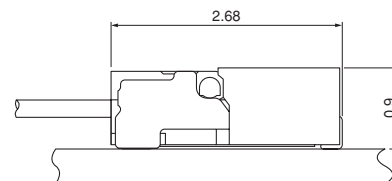
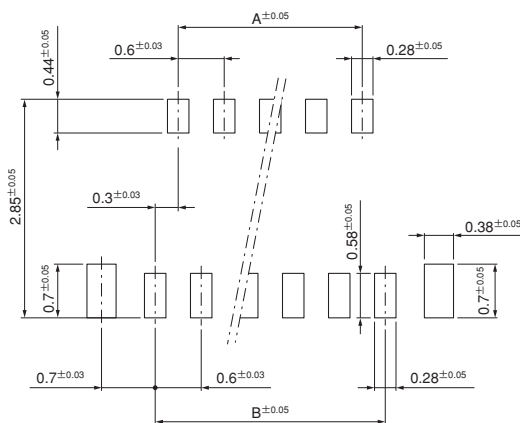
**This FXVL connector is a space saving and low profile connector for FPC demanded from the market, and realizes 0.3mm pitch connector with a mounting height of 0.9mm and depth of 2.68mm. In 0.3mm pitch FPC connector, the smallest product in mounting area on the board has been provided.**

- Double ZIF construction provides easy insertion operation of FPC
- By adopting self locking mechanism, a cover can close with one touch operation.
- The straight type FPC that is easily inserted is adopted.

## Specifications

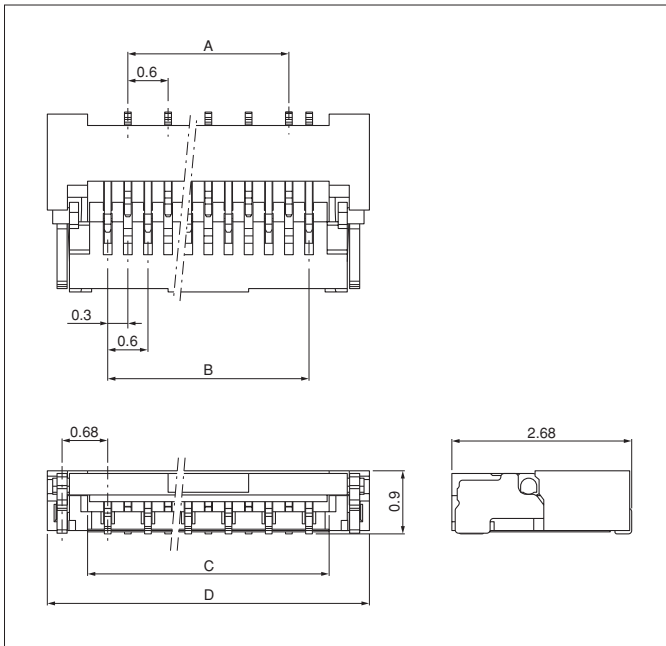
- Current rating: 0.2 A AC, DC
- Voltage rating: 50 V AC, DC
- Temperature range: -25°C to +85°C  
(including temperature rise in applying electrical current)
- Contact resistance: Initial value/ 100 mΩ max.  
After environmental tests/ 100 mΩ max.  
(variation from initial value)
- Insulation resistance: 50 MΩ min.
- Withstanding voltage: Initial value; 200 VAC/minute  
After humidity test; 100 VAC/minute
- Applicable FPC: Conductor pitch/ 0.3 mm  
Conductor width/ 0.3 mm  
Mating part thickness/ 0.2±0.03 mm

- \* Refer to "General Instruction and Notice when using Terminals and Connectors" at the end of this catalog.
- \* Contact JST for details.
- \* Compliant with RoHS.



# FXVL CONNECTOR

## Housing



Circuits	Model No.	Dimensions (mm)				Qty / reel
		A	B	C	D	
11	11FXVL-RSM1-GAN-TF(HF)	2.4	3.0	3.6	4.8	5,000
13	13FXVL-RSM1-GAN-TF(HF)	3.0	3.6	4.2	5.4	5,000
15	15FXVL-RSM1-GAN-TF(HF)	3.6	4.2	4.8	6.0	5,000
17	17FXVL-RSM1-GAN-TF(HF)	4.2	4.8	5.4	6.6	5,000
21	21FXVL-RSM1-GAN-TF(HF)	5.4	6.0	6.6	7.8	5,000
23	23FXVL-RSM1-GAN-TF(HF)	6.0	6.6	7.2	8.4	5,000
25	25FXVL-RSM1-GAN-TF(HF)	6.6	7.2	7.8	9.0	5,000
33	33FXVL-RSM1-GAN-TF(HF)	9.0	9.6	10.2	11.4	5,000
41	41FXVL-RSM1-GAN-TF(HF)	11.4	12.0	12.6	13.8	5,000
43	43FXVL-RSM1-GAN-TF(HF)	12.0	12.6	13.2	14.4	5,000
51	51FXVL-RSM1-GAN-TF(HF)	14.4	15.0	15.6	16.8	5,000

### Material and Finish

Contact: Copper alloy, nickel-undercoated, gold-plated  
 Socket housing: Heat resisting resin, black  
 Cover housing: Heat resisting resin, gray  
 Reinforcement: Copper alloy, tin-plated

**RoHS compliance** This product displays (HF) on a label.  
 Note: The products listed above are supplied on embossed-tape.

## Lead section dimensions of FPC

