

GIT CONNECTOR (50P type)

Board-to-wire



This 2.54mm pitch, 50 circuits unsealed connector realizes low insertion force with lever mechanism. This connector has the various color/key code corresponding to needs, hence the connector type suitable for the vehicle can be selected.

Features

●Variation

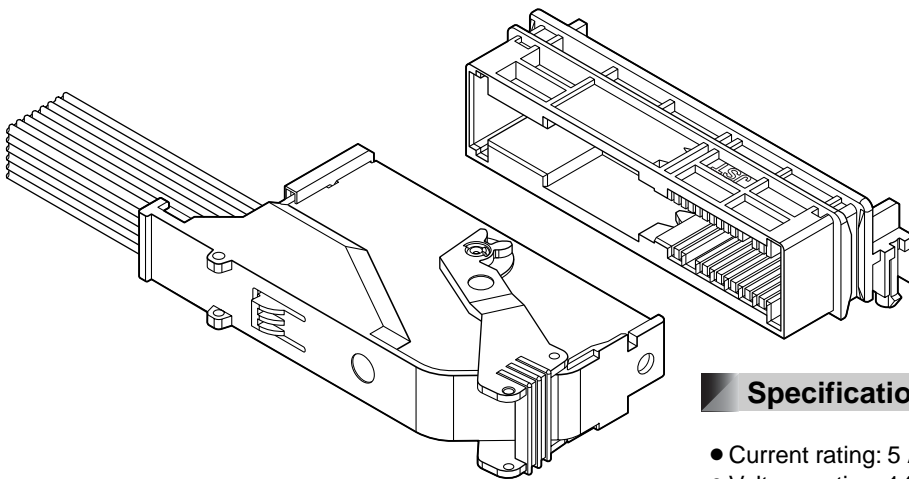
Various pin arrangement/housing color/key code can be selected.

●Terminal Construction

Four contact points and dual springs achieve high reliability.

●Mating

The lever mechanism is adopted to decrease the insertion force in mating male and female.



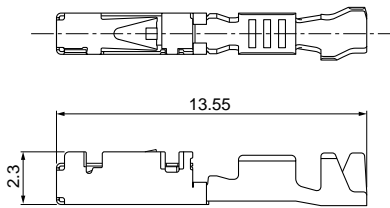
Specifications

- Current rating: 5 A AC, DC
- Voltage rating: 14 V AC, DC
- Temperature range: -40°C to +85°C
(including temperature rise in applying electrical current)
- Contact resistance: Initial value/ 15 mΩ max.
After environmental tests/ 15 mΩ max.
(GMW 3191 Compliant)
- Insulation resistance: 100 MΩ min. (GMW 3191 Compliant)
- Withstanding voltage: 1,000 VAC/minute
- Applicable wire: AVSS
0.3 mm² to 0.5 mm²
FLRY-A
0.35 mm² to 0.5 mm²

- * Compliant with ELV/RoHS.
- * Contact JST for details.

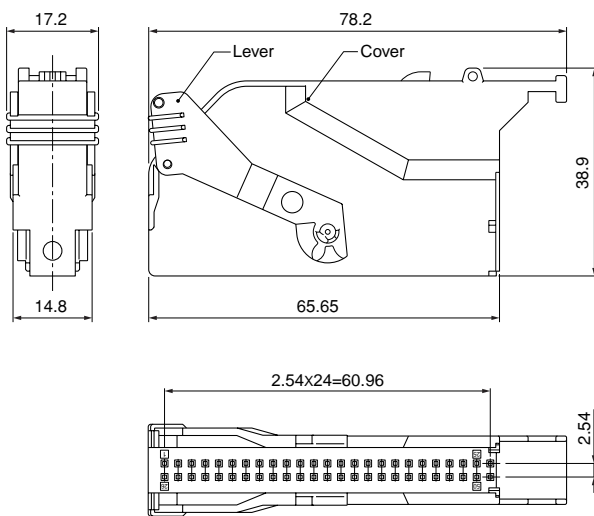
GIT(50P type) CONNECTOR

Female terminal

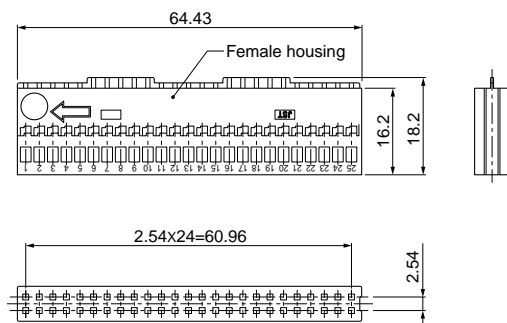


Female connector

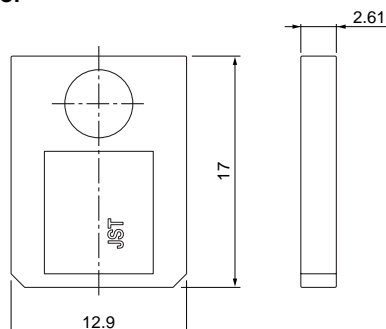
Cover housing assembly



Female housing



Slide cover



Model No.	Applicable wire range		Q'ty/reel
	Conductor (mm ²)	Insulation O.D. (mm)	
SGIT-B021T-MS0.64	0.3 to 0.5	1.4 to 1.7	9,000

Material and Finish

Terminal box: SUS
Terminal spring: Copper alloy, tin-plated

Circuits	Model No.	Q'ty/box
50	50GIT-CL-1A-()-()	360

Material

Cover housing: Glass-filled PBT, yellow
Lever: Glass-filled PBT, black

Note: Color/Key codes other than above-mentioned housing or lever are also available.

Circuits	Model No.	Q'ty/box
50	GITR-50H-1A-K	600

Material

Glass-filled PBT, black

Model No.	Q'ty/box
GITSL-H-2A-K	500

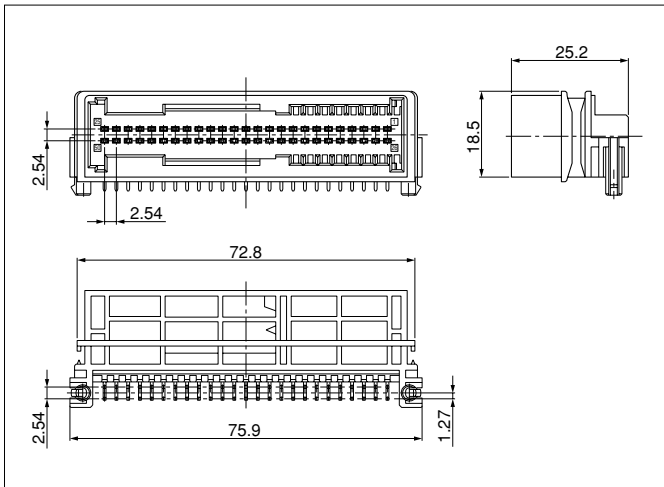
Material

Glass-filled PBT, black

Note: The above Q'ty/box indicates inner box Q'ty. Contact JST for details.

GIT(50P type) CONNECTOR

Male connector



Circuits	Model No.	Q'ty/box
50	S()50B-GIT03-2B-()	192

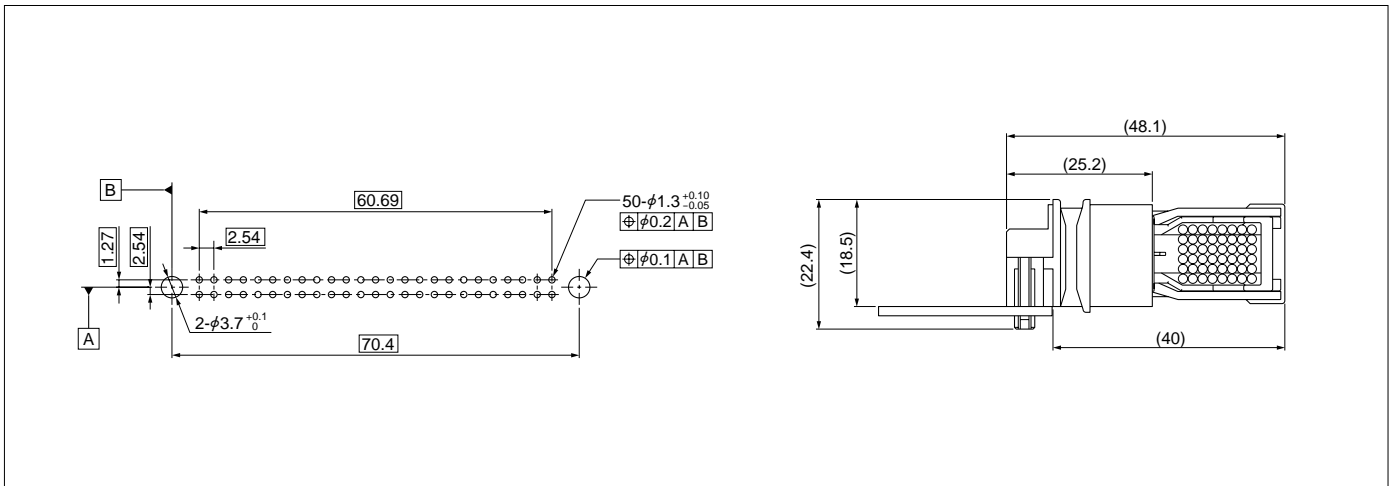
Material and Finish

Housing: Glass-filled PBT, black

Terminal: Copper alloy, nickel-undercoated, tin-plated

Note: Key codes or pin account other than above-mentioned are also available.

PC board layout, Assembly layout



Crimping machine, Applicator

Strip terminal	Crimping machine	Crimp applicator MKS-L	
		Dies	Crimp applicator with dies
SGIT-B021T-MS0.64	AP-K2N	MK/SGIT-B021-064	APLMK SGIT-B021-064

Note: When crimping operation is conducted using an applicator and die set other than the above, JST cannot guarantee the performance of the terminal.