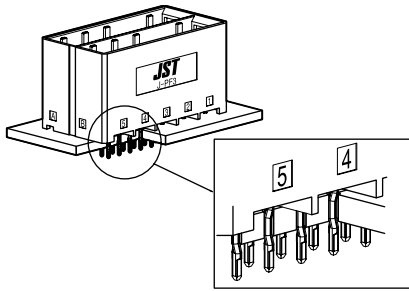
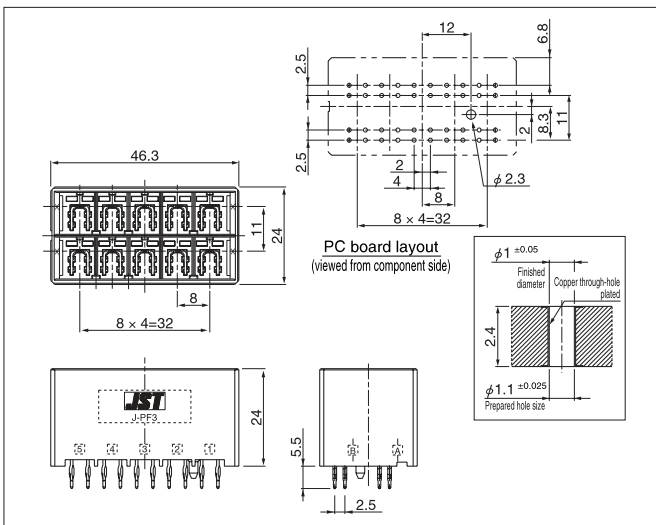


J300 SERIES/J-PF3 PRESS FIT TYPE



- Press fit contact is adopted.
- Easy PC board layout
- Use the receptacle contact of J300 series

Header Top entry type (Press fit type)



Circuits	Keying	Model No.	Q'ty / box
10	XX	B10B-JPF3MK-GKXXR	96
	YY	B10B-JPF3MK-GKYXR	96
	XY	B10B-JPF3MK-GKXYR	96
	YX	B10B-JPF3MK-GKYXR	96

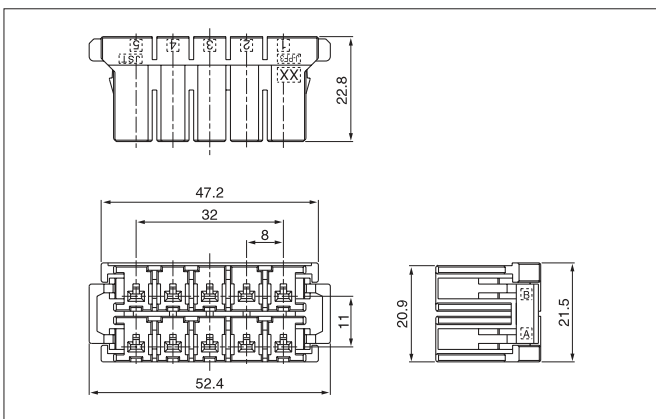
Material and Finish

Post: Copper alloy, gold-plated
Housing: Thermoplastic resin

RoHS compliance

Note: 1. Contact JST for jig for press fit.
2. Not CSA/UL/TÜV approved.

Receptacle housing



Circuits	Keying	Model No.	Q'ty / bag
10	XX	JPF3FMS-10V-KXX	400
	YY	JPF3FMS-10V-KYY	400
	XY	JPF3FMS-10V-KXY	400
	YX	JPF3FMS-10V-KYX	400

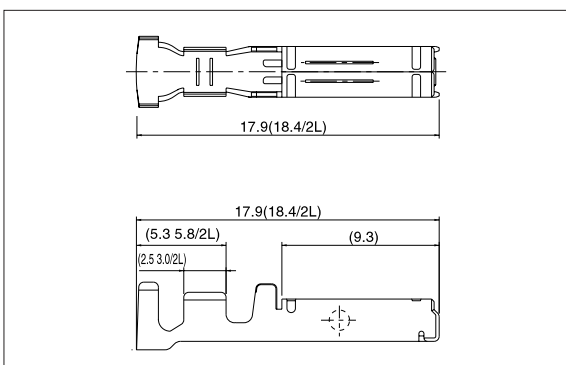
Material

Housing: Thermoplastic resin

RoHS compliance

Note: Not CSA/UL/TÜV approved.

Receptacle contact



Model No.		Applicable wire			Insulation O.D. (mm)	Q'ty	
Strip contact	Loose piece	Nominal	mm ²	AWG#		reel	Box/Loose piece
SF3F-002GF-P2.0	BF3F-002GF-P2.0	S	0.08~0.20	28~24	0.8~1.4	3,700	1,000
SF3F-01GF-P2.0	BF3F-01GF-P2.0	M	0.20~0.50	24~20	1.2~2.6	3,700	1,000
SF3F-41GF-P2.0	LF3F-41GF-P2.0	L	0.50~1.25	20~16	1.8~2.8	3,200	1,000
*SF3F-71GF-P2.0	*BF3F-71GF-P2.0	2L	1.25~2.0	16~14	2.4~3.4	3,200	1,000

Material and Finish

Copper alloy (superior conductivity), nickel-undercoated, selective gold-plated tin-plated (reflow treatment)

RoHS compliance

Note: *Marked products are not CSA/TÜV approved.