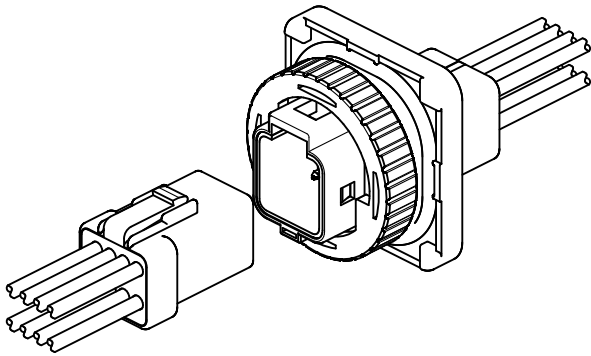


# JWPF CONNECTOR

2.0 mm pitch / Wire-to-wire connectors (Waterproof type) / Panel lock type



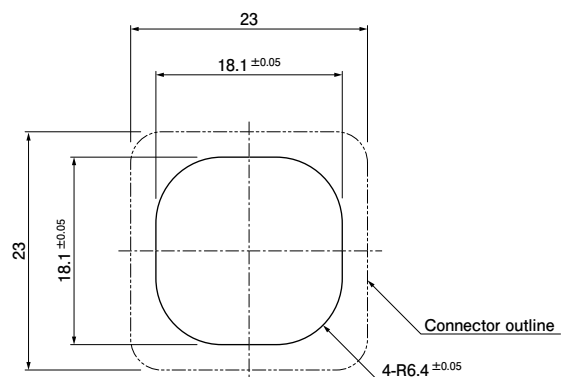
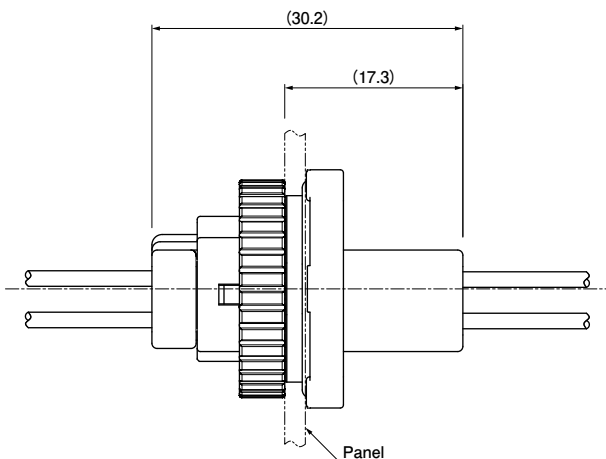
This is a 2.0 mm pitch wire-to-wire connector of the panel lock type with grade 7 of ingress protection of JIS C 0920 (IPX7 of IEC 60529), suitable for use for the place of which waterproof is required.

- Waterproof (immersion-proof type)
- Panel lock type
- Pre-installed seal ring
- A method of plugging by seal rubber plate in bulk
- Double-spring construction
- Housing lance
- Inner lock structure

## ■ Specifications

- Current rating: 3 A AC/DC (AWG #22)
  - Voltage rating: 100 V AC/DC
  - Temperature range: -55°C to +85°C  
(including temperature rise in applying electrical current)
  - Contact resistance:  
Initial value/ 10 mΩ max.  
After environmental tests/ 15 mΩ max.
  - Insulation resistance:  
Initial value/ 1,000 MΩ min.  
After environmental tests/ 100 MΩ min.
  - Withstanding voltage: 500 VAC/minute
  - Applicable wire: Conductor size/AWG #26 to #22  
Insulation O.D./  $\phi 1.4$  to  $\phi 1.7$  mm
  - Waterproof grade: Grade 7 ingress protection of JIS C 0920 (IPX7 of IEC 60529)
  - Applicable panel: Thickness/  $1.2 \pm 0.05$  mm  
 $2.0 \pm 0.05$  mm  
Surface roughness/  $R_z 1.6 \mu\text{m}$  max.
- \* In using the products, refer to "Handling Precaution for Terminal and Connector" described on our website (Technical documents of Product information page).
- \* It does not comply with the Electrical Appliance and Material Safety Law. (Applicable only in Japan)
- \* RoHS2 compliance
- \* Dimensional unit: mm
- \* Contact JST for details.

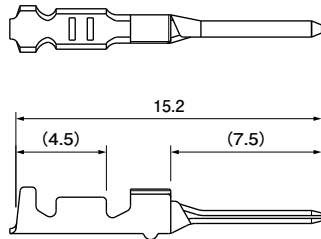
## Panel layout and Assembly layout



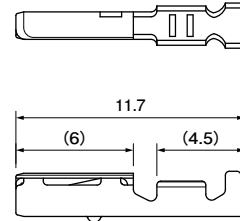
# JWPF CONNECTOR

## Contact

### Tab contact



### Receptacle contact



### Tab contact

Model No.	Applicable wire range		Q'ty/ reel
	Conductor size AWG (mm <sup>2</sup> )	Insulation O.D. (mm)	
SWPT-001T-P025	#26 to #22 (0.13 to 0.33)	1.4 to 1.7	8,200

#### Material and Finish

Phosphor bronze, tin-plated

### Receptacle contact

Model No.	Applicable wire range		Q'ty/ reel
	Conductor size AWG (mm <sup>2</sup> )	Insulation O.D. (mm)	
SWPR-001T-P025	#26 to #22 (0.13 to 0.33)	1.4 to 1.7	8,200

#### Material and Finish

Copper alloy, tin-plated

RoHS2 compliance

RoHS2 compliance

### Crimping machine

Contact	Crimping machine	Applicator	Crimp applicator with dies
SWPT-001T-P025	AP-K2N	MKS-L	APLMK SWPR/T001-025

Note: Contact JST for fully automatic crimping applicator.

### Crimping machine

Contact	Crimping machine	Applicator	Crimp applicator with dies
SWPR-001T-P025	AP-K2N	MKS-L	APLMK SWPR/T001-025

Note: Contact JST for fully automatic crimping applicator.

## Housing assembly

### Tab housing assembly (for tab contact)

No. of circuits	Model No.	Shape and Dimensions (mm)	Applicable panel thickness (mm)	Color	Q'ty/bag
8	08TP-JWPF-VSLE-D-A		1.2±0.05	Natural (white)	100
	08TP-JWPF-VKLE-D		2.0±0.05	Black	100

#### Material and Finish

Tab housing: Thermoplastic resin, UL94V-0, natural (white) / black  
 Seal ring holder: Thermoplastic resin, UL94V-0, yellow  
 Seal ring A: Silicone rubber, blue  
 Seal ring B: Silicone rubber, blue  
 Seal rubber plate: Silicone rubber, light blue

RoHS2 compliance

Note: Seal ring holder, seal ring A, seal ring B and seal rubber plate are preassembled in tab housing assembly.

# JWPF CONNECTOR

## Housing assembly

### Receptacle housing assembly (for receptacle contact)

No. of circuits	Model No.	Shape and Dimensions (mm)	Color	Q'ty/bag
8	08R-JWPF-VSLE-D		Natural (white)	1,000

#### Material and Finish

Receptacle housing: Thermoplastic resin, UL94V-0, natural (white)  
 Seal rubber plate: Silicone rubber, light blue

#### RoHS2 compliance

Note: Seal rubber plate is preassembled in receptacle housing assembly.

## Tab cover housing

No. of circuits	Model No.	Shape and Dimensions (mm)	Color	Q'ty/bag
8	08TPC-JWPF-VK-D		Black	400

#### Material and Finish

Thermoplastic resin, UL94V-0, black

#### RoHS2 compliance

## Model number allocation

### Tab contact

**S WP T - 001 T - P 025**

Form: S··Strip form

Series name

Type of contact: T··Tab

Applicable wire range: AWG #26 to #22

Surface finish: T··Tin-plated

Material: P··Phosphor bronze

Contact size

### Receptacle contact

**S WP R - 001 T - P 025**

Form: S··Strip form

Series name

Type of contact: R··Receptacle

Applicable wire range: AWG #26 to #22

Surface finish: T··Tin-plated

Material: P····Copper alloy

Applicable contact size

### Tab housing assembly

**08 TP - JWPF - V K LE - D - ■**

No. of circuits

Part name:  
Tab housing (Panel lock type)

Series name

Flammability: V··UL94V-0

Housing color:  
S··Natural (White) / for panel thickness 1.2 mm  
K··Black / for panel thickness 2.0 mm

Seal rubber plate color: LE··Light blue

Number of rows in circuits: D··Dual-row

Applicable panel thickness: A··1.2 mm, No indication··2.0 mm

### Receptacle housing assembly

**08 R - JWPF - V S LE - D**

No. of circuits

Part name: Receptacle housing

Series name

Flammability: V··UL94V-0

Housing color: S··Natural

Seal rubber plate color: LE··Light blue

Number of rows in circuits: D··Dual-row

### Tab cover housing

**08 THC - JWPF - V K - D**

No. of circuits

Part name:  
Cover for tab housing assembly

Series name

Flammability: V··UL94V-0

Color: K··Black

Supplementary symbol