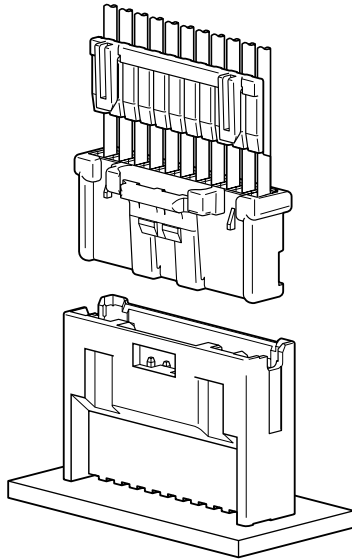


# PNI CONNECTOR <High box type>

2.0mm pitch/Disconnectable Crimp style connectors



**This is a board-to-wire connector with secure locking device that has been designed to 2mm pitch high box type, with a mounting height of 19.95mm (including retainer) and 6.65mm in depth.**

**Low insertion force type contact is adopted and it provides excellent operability. Retainer is available as usage.**

- Header for use specifically with resin coated ("potted") PC board
- Secure locking structure
- Retainer mountable type

## Specifications

- Current rating: 3 A AC, DC (AWG #22)
- Voltage rating: 100 V AC, DC
- Temperature range: -25°C to +85°C  
(including temperature rise in applying electrical current)
- Contact resistance: Initial value/ 10 mΩ max.  
After environmental tests/ 20 mΩ max.
- Insulation resistance: 1,000 MΩ min.
- Withstanding voltage: 800 VAC/minute
- Applicable wire: Conductor size/ AWG #28 to #22  
Insulation O.D./ 0.76 to 1.5 mm
- Applicable PC board thickness: 1.6 mm

\* Refer to "General Instruction and Notice when using Terminals and Connectors" at the end of this catalog.

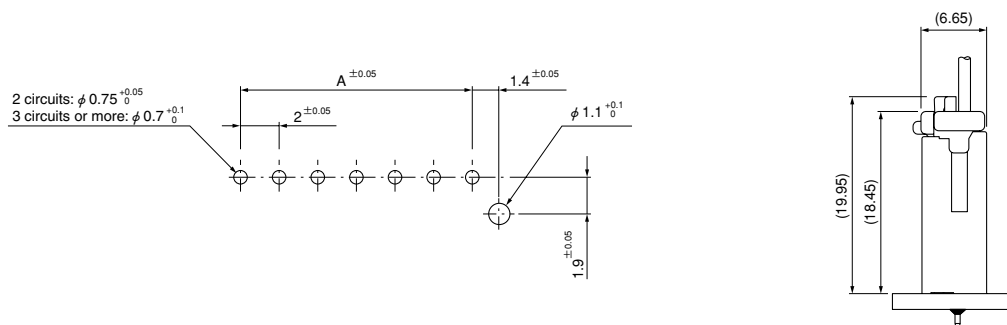
\* Contact JST for details.

\* Compliant with RoHS.

## Standards

UL Recognized E 60389

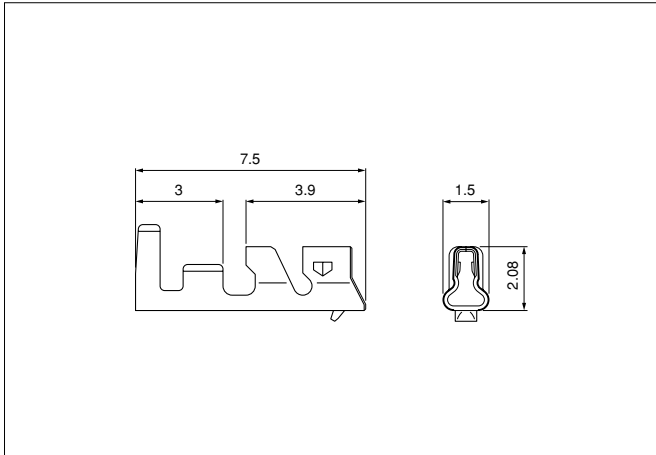
CSA Certified LE 20812



Note: 1. The above figure is the figure viewed from the connector mounting side.  
2. Tolerances are non-cumulative: ±0.05mm for all centers.  
3. Hole dimensions differ according to the type of PC board and piercing method.  
The dimensions above should serve as a guideline. Contact JST for details.

# PNI CONNECTOR (High box type)

## Contact



Model No.	Applicable wire		Insulation O.D. (mm)	Q'ty / reel
	mm <sup>2</sup>	AWG#		
<b>SPND-001T-C0.5</b>	0.13~0.33	26~22	1.0~1.5	8,000
<b>SPND-002T-C0.5</b>	0.08~0.22	28~24	0.76~1.5	8,000

### Material and Finish

Copper alloy, tin-plated (reflow treatment)

### RoHS compliance

Contact	Crimping machine	Applicator		
		Crimp applicator	Dies	Crimp applicator with dies
<b>SPND-001T-C0.5</b>	AP-K2N	MKS-L	MK/SPND-001-05	APLMK SPND001-05
		*MKS-SC	SC/SPND-001-05	APLSC SPND001-05
<b>SPND-002T-C0.5</b>	AP-K2N	MKS-L	MK/SPAD/ND-002-05	APLMK SPAD/ND002-05
		—	—	—

Note: \*Strip-crimp applicator

## Housing

<2 circuits>

<3, 4 circuits>

<5, 6 circuits>

<7 to 10 circuits>

<11 to 15 circuits>

Circuits	Model No.	Dimensions (mm)		Q'ty / bag
		A	B	
2	<b>PNIRP-02V-S</b>	—	5.7	1,000
3	<b>PNIRP-03V-S</b>	4.0	7.7	1,000
4	<b>PNIRP-04V-S</b>	6.0	9.7	1,000
5	<b>PNIRP-05V-S</b>	8.0	11.7	1,000
6	<b>PNIRP-06V-S</b>	10.0	13.7	1,000
7	<b>PNIRP-07V-S</b>	12.0	15.7	1,000
8	<b>PNIRP-08V-S</b>	14.0	17.7	1,000
9	<b>PNIRP-09V-S</b>	16.0	19.7	1,000
10	<b>PNIRP-10V-S</b>	18.0	21.7	1,000
11	<b>PNIRP-11V-S</b>	20.0	23.7	1,000
12	<b>PNIRP-12V-S</b>	22.0	25.7	1,000
13	<b>PNIRP-13V-S</b>	24.0	27.7	1,000
14	<b>PNIRP-14V-S</b>	26.0	29.7	500
15	<b>PNIRP-15V-S</b>	28.0	31.7	500

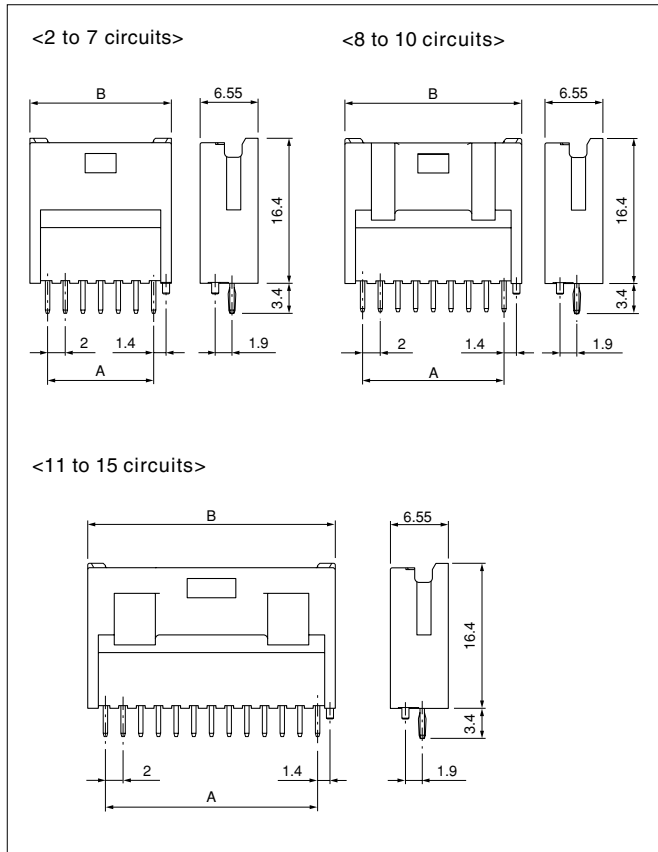
**Material**

Glass-filled PBT, UL94V-0, natural (white)

**RoHS compliance**

# PNI CONNECTOR (High box type)

## Shrouded header



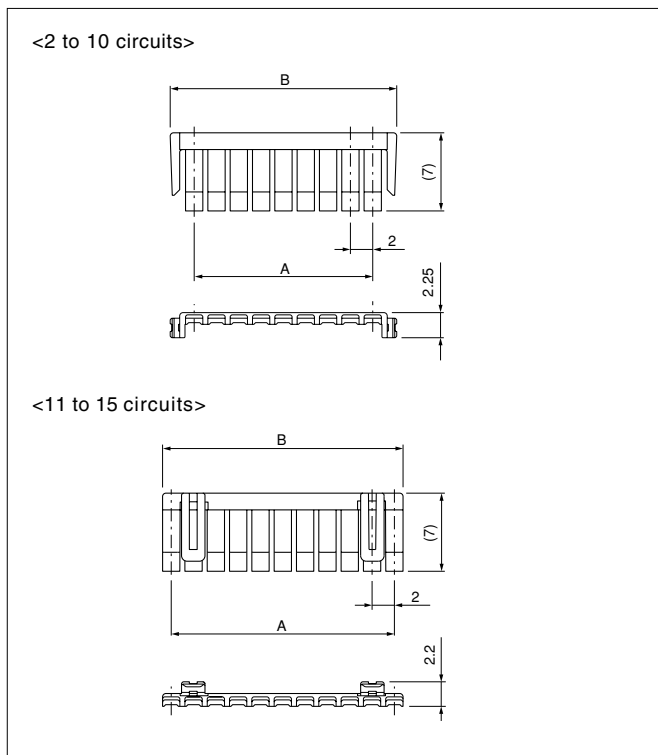
Circuits	Model No.	Dimensions (mm)		Q'ty / box
		A	B	
2	BH02B-PNISK-1A	2.0	6.0	500
3	BH03B-PNISK-1A	4.0	8.0	450
4	BH04B-PNISK-1A	6.0	10.0	350
5	BH05B-PNISK-1A	8.0	12.0	300
6	BH06B-PNISK-1A	10.0	14.0	250
7	BH07B-PNISK-1A	12.0	16.0	200
8	BH08B-PNISK-1A	14.0	18.0	200
9	BH09B-PNISK-1A	16.0	20.0	150
10	BH10B-PNISK-1A	18.0	22.0	150
11	BH11B-PNISK-1A	20.0	24.0	150
12	BH12B-PNISK-1A	22.0	26.0	100
13	BH13B-PNISK-1A	24.0	28.0	100
14	BH14B-PNISK-1A	26.0	30.0	100
15	BH15B-PNISK-1A	28.0	32.0	100

### Material and Finish

Post: Copper alloy, copper-undercoated, tin-plated (reflow treatment)  
Wafer: Glass-filled PA 66, UL94V-0, white

**RoHS compliance** This product displays (LF)(SN) on a label.

## Retainer



Circuits	Model No.	Dimensions (mm)		Q'ty / bag
		A	B	
2	PNIS-02V	2.0	6.3	1,000
3	PNIS-03V	4.0	8.3	1,000
4	PNIS-04V	6.0	10.3	1,000
5	PNIS-05V	8.0	12.3	1,000
6	PNIS-06V	10.0	14.3	1,000
7	PNIS-07V	12.0	16.3	1,000
8	PNIS-08V	14.0	18.3	1,000
9	PNIS-09V	16.0	20.3	1,000
10	PNIS-10V	18.0	22.3	1,000
11	PNIS-11V	20.0	21.55	1,000
12	PNIS-12V	22.0	23.55	1,000
13	PNIS-13V	24.0	25.55	1,000
14	PNIS-14V	26.0	27.55	1,000
15	PNIS-15V	28.0	29.55	1,000

### Material

Glass-filled PA 66, UL94V-0, natural (ivory)

**RoHS compliance**