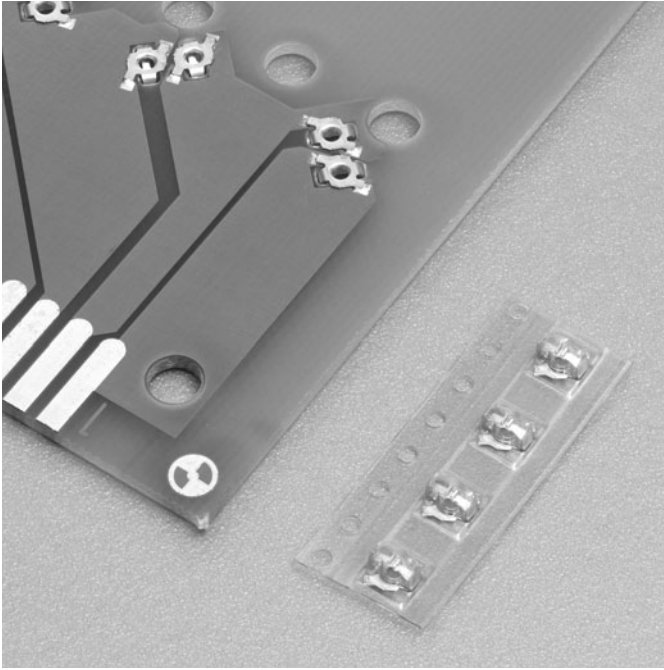


SBO CONNECTOR

Board-to-board

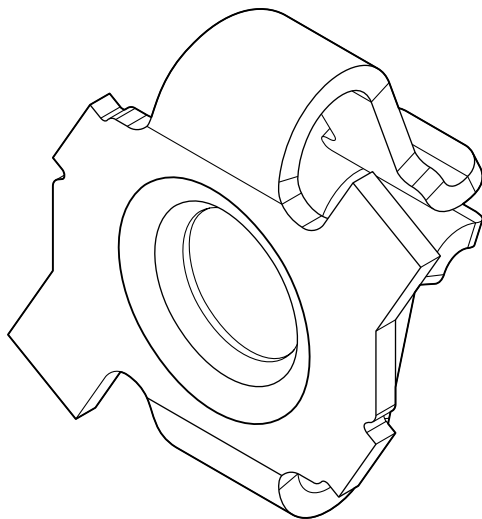


Features

- Surface Mounting Type Connector for Automotive
- Low Profile: Connector is partially inside thickness of PC board. Height 2.34mm.
- Connecting with square 0.45 to 0.8mm pins.
- Minimum Pitch: 3.9X5.08mm
(Flexibility on PC board position.)

This contact can be placed anywhere on a PC board. This makes it flexible to connect with other male components with different pitches and different numbers of pins.

The receptacle is mainly designed inside the PC board thickness to have a low profile connector.

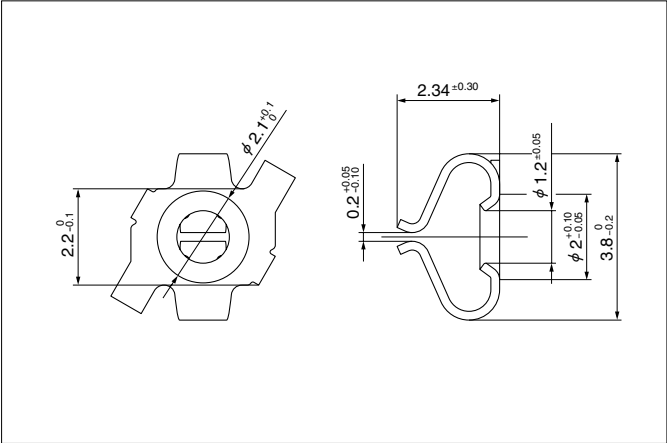


Specifications

- Current rating: 3A AC, DC
- Voltage rating: 24V AC, DC
- Temperature range: -40°C to +105°C
(including temperature rise in applying electrical current)
- Contact resistance: Initial/8mΩ max.
After environmental testing/20mΩ max.
- Insulation resistance: 100MΩ min.
- Withstanding voltage: 200V AC/minute
- Counterpart: 0.45 to 0.8mm square pins
(Contact JST for other pin dimensions.)

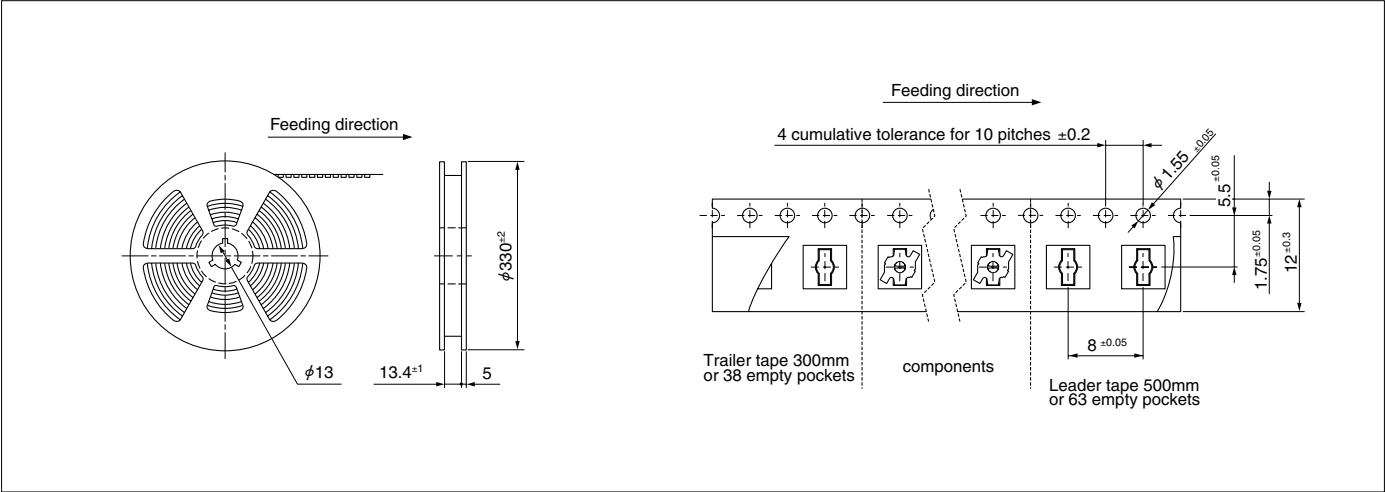
- * Compliant with ELV/RoHS.
- * Contact JST for details.

Connector

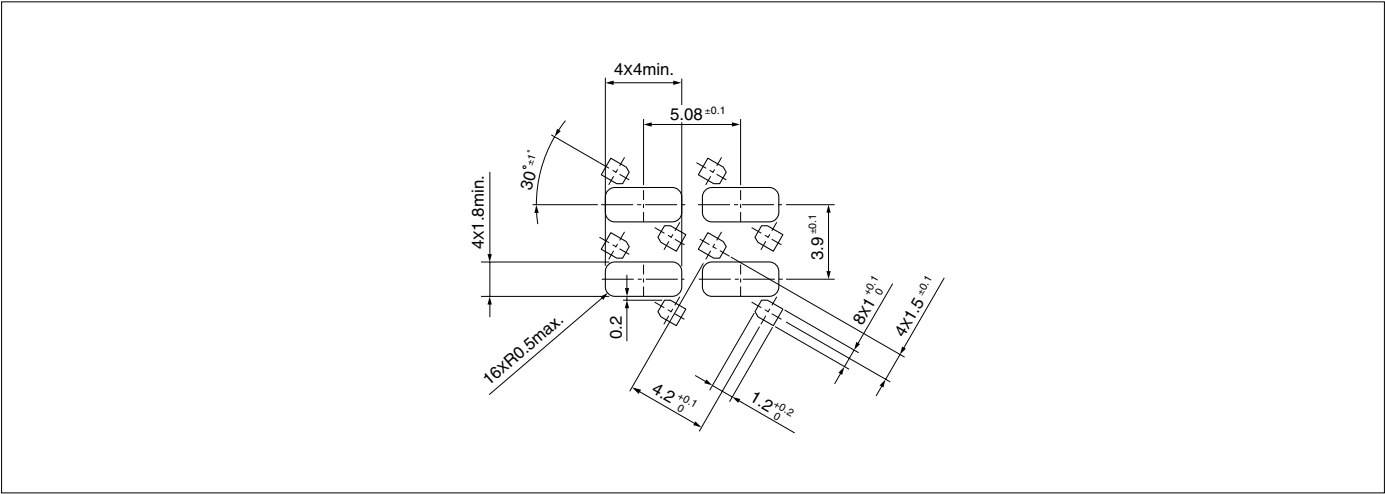


Circuits	Model No.	Q'ty/reel
Single	SSBO-0.2SPT-M0.55-L LF	3,500
Material and Finish		
Terminal: Copper alloy, tin-plated		

Taping specifications



PC board layout



Note: 1. Tolerances are non-cumulative: ±0.05mm for all centers.
 2. The dimensions above should serve as guideline. Contact JST for details.