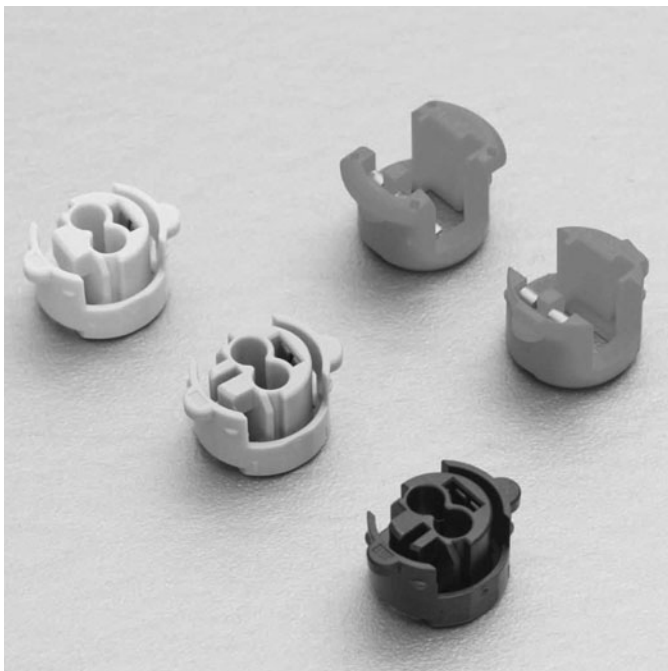


SHUNT RING

Squib connectors



Connector for an inflator.

Features

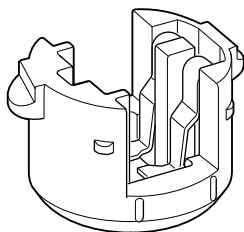
● Scooping (kojiri) preventive construction

Using a shunt ring with a mating harness connector, the resistance to scooping (kojiri) insertion and withdrawal on the assembly line is improved.

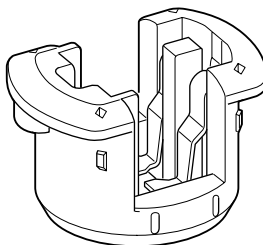
● Variation

Colors and keying codes are set up according to the standard.

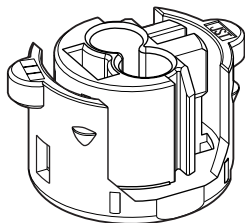
● AK-1 type



● Anti-scooping (kojiri) type



● AK-2 type



Specifications

<AK-1 type, Anti-scooping (kojiri) type>

- Temperature range: -30°C to +80°C
(including temperature rise in applying electrical current)
- Insulation resistance: 100 MΩ min.

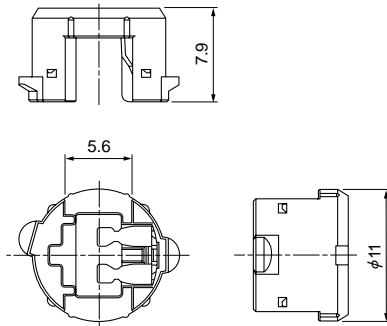
<AK-2 type>

- Temperature range: -30°C to +85°C
(including temperature rise in applying electrical current)
- Insulation resistance: 100 MΩ min.

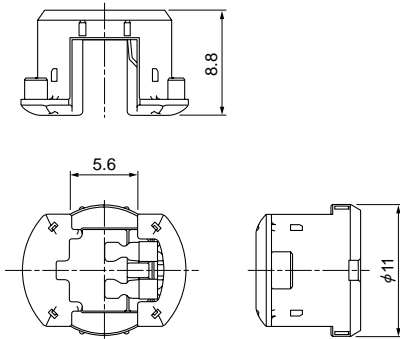
- * Compliant with ELV/RoHS.
- * Contact JST for details.

Shunt ring

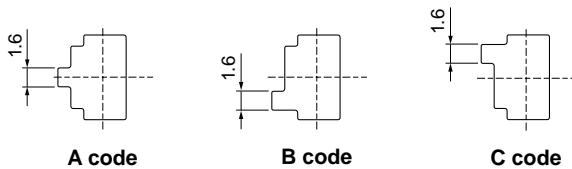
● AK-1 type



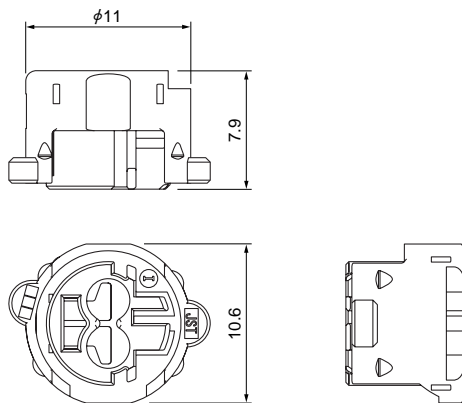
● Anti-scooping (kojiri) type



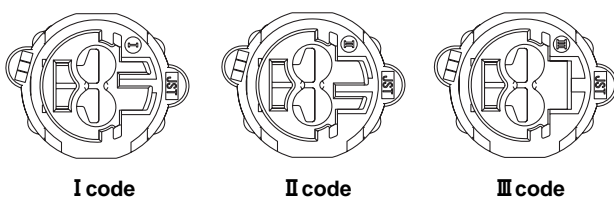
● Keying figure



● AK-2 type



● Keying figure



Type	Keying figure	Model No.	Q'ty/box	Color
AK-1 type	A code	02-SQS-GF-2A-K	10,000	Black
		02-SQS-GF-2A-R	10,000	Red
		02-SQS-GF-2A-E	10,000	Blue
		02-SQS-GF-2A-Y	10,000	Yellow
		02-SQS-GF-2A-LP	10,000	Light purple
	B code	02-SQS-GF-2B-M	10,000	Green
		02-SQS-GF-2B-H	10,000	Gray
	C code	02-SQS-GF-2C-MK	10,000	Mikan
		02-SQS-GF-2C-P	10,000	Purple
		02-SQS-GF-2C-D	10,000	Orange
Anti-scooping (kojiri) type	A code	02-SQS-GF-1A-K	3,000	Black
		02-SQS-GF-1A-Y	3,000	Yellow
		02-SQS-GF-1A-LP	3,000	Light purple
		02-SQS-GF-1A-N	3,000	Brown
		02-SQS-GF-1A-E	3,000	Blue
	B code	02-SQS-GF-1B-M	3,000	Green
	C code	02-SQS-GF-1C-D	3,000	Orange

Material and Finish

Terminal: Copper alloy, nickel-undercoated, Contact area; gold-plated
Housing: Glass-filled PBT

Type	Keying figure	Model No.	Q'ty/box	Color
AK-2 type	I code	02-SQSK-GI-2A-K	3,000	Black
	II code	02-SQSK-GI-2B-LM	3,000	Light green
	III code	02-SQSK-GI-2C-Y	3,000	Yellow

Material and Finish

Terminal: SUS, nickel-undercoated, Selective gold-plated
Housing: Glass-filled PBT