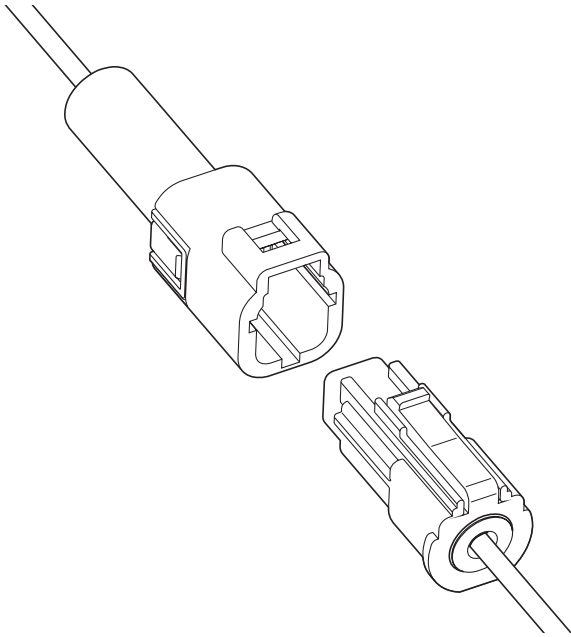




# WPK CONNECTOR

**Disconnectable Crimp style Wire-to-wire connectors**



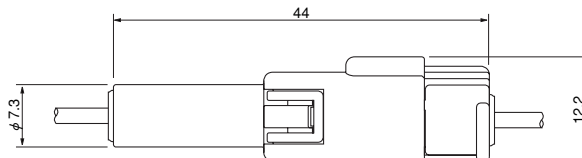
***This connector is compact and excels in waterproof and durability. This wire-to-wire connector can be used for the place of which especially waterproof is required. Its waterproof grade is 7 ingress protection of JIS C 0920 (IEC 60529 IPX7).***

- **Waterproof performance**
- **Contained seal ring**
- **Proven contact configuration**
- **Inner-housing lock**
- **Compact design**

## Specifications

- Current rating: 7A AC, DC (0.85mm<sup>2</sup>)
  - Voltage rating: 12V AC, DC
  - Temperature range: -40°C to +105°C  
(including temperature rise in applying electrical current)
  - Contact resistance: Initial value/5m Ω max.  
After environmental testing/10m Ω max.
  - Insulation resistance: 100M Ω min.
  - Withstanding voltage: 1,000V AC/minute
  - Applicable wire: 0.5 to 0.85mm<sup>2</sup>  
Insulation O.D./1.6 to 1.9mm
  - Waterproof grade: Grade 7 ingress protection of JIS C 0920  
(IEC 60529 IPX7)
- \* Compliant with RoHS.  
\* Refer to "General Instruction and Notice when using Terminals and Connectors" at the end of this catalog.  
\* Contact JST for details.

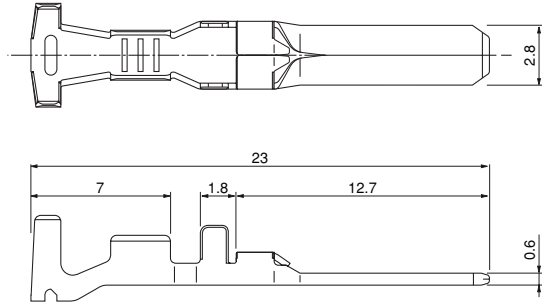
## Assembly layout



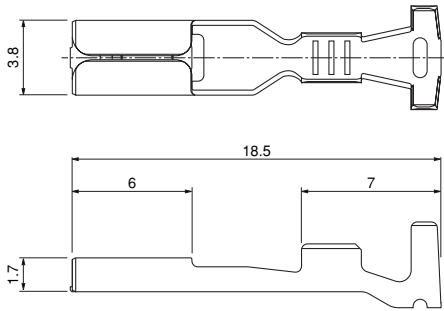
# WPK CONNECTOR

## Terminal

### Male terminal



### Female terminal



Model No.		Applicable wire (mm <sup>2</sup> )	Insulation O.D. (mm)	Q'ty / reel
Male terminal	Female terminal			
<b>SWPKP-21T-0.6</b>	<b>SWPKR-21T-0.6</b>	0.5~0.85	1.6~1.9	3,000

### Material and Finish

Copper alloy, tin-plated (reflow treatment)

### RoHS compliance

Terminal	Crimping machine	Applicator		
		Crimp applicator	Dies	Crimp applicator with dies
<b>SWPKP-21T-0.6</b>	AP-K2N	MKS-L	MK/SWPKP/R-21-06	APLMK SWPKP/R21-06
		—	—	—
<b>SWPKR-21T-0.6</b>	—	MKS-L	MK/SWPKP/R-21-06	APLMK SWPKP/R21-06
		—	—	—

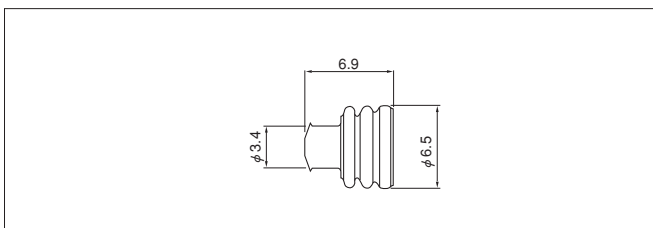
## Housing

Material: PBT, black

Circuit	Voltage rating	Current rating	Male housing (for male terminal)		Female housing (for female terminal)	
			Model No.	Q'ty / box	Model No.	Q'ty / box
1	12V	7A	<b>01P-WPKH-KN</b> 	100	<b>WPKR-01H-K</b> 	1,000

RoHS compliance

## Wire end seal



Model No.	Rubber inner diameter (mm)	Insulation O.D. (mm)	Q'ty / bag
<b>WPKS-1.3N</b>	1.3	1.6~1.9	1,500

Color	Material
Brown	NBR

RoHS compliance

Note: Contact JST for applicable wire.