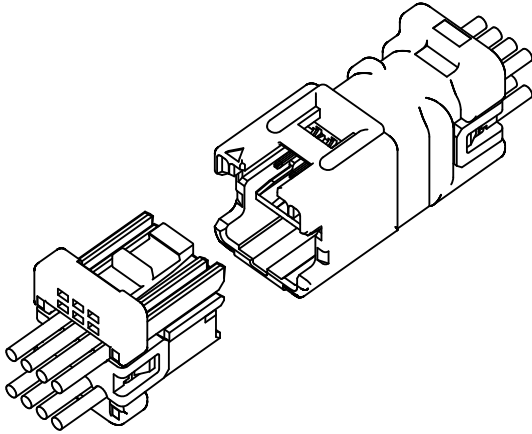


ZIM CONNECTOR

1.5 mm pitch/ Wire-to-wire connector



This is wire-to-wire connector with 1.5 mm pitch dual-row construction. It is hardly affected by external forces and prevents the lock from coming off.

- Inertia lock mechanism
- Retainer mountable type
- Designed for improved insertion workability
- Strong lock release prevention mechanism
- Development of keying is enabled.

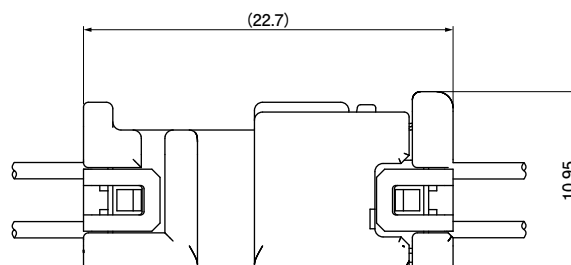
■ Standards

☑ :Recognized E 60389

■ Specifications

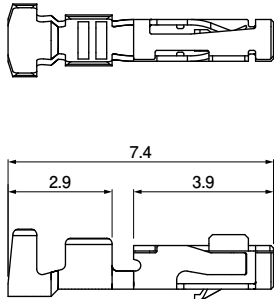
- Current rating: 2 A AC/DC (AWG #24)
- Voltage rating: 100 V AC/DC
- Temperature range: -25°C to +85°C
(including temperature rise in applying electrical current)
- Contact resistance:
 - Initial value/ 15 mΩ max.
 - After environmental tests/ 25 mΩ max.
- Insulation resistance: 500 MΩ min.
- Withstanding voltage: 500 VAC/minute
- Applicable wire range:
 - Conductor size/ AWG #28 to #24
 - Insulation O.D/ ϕ 0.76 mm to ϕ 1.3 mm upon not using a retainer
 - ϕ 1.0 mm to ϕ 1.3 mm upon using a retainer
- * In using the products, refer to “Handling Precaution for Terminals and Connectors” described on our website (Technical documents of Product information page).
- * RoHS2 compliance
- * Dimensional unit: mm
- * Contact JST for details.

Assembly layout

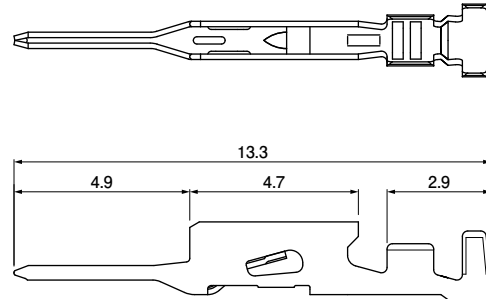


Contact

Socket contact



Pin contact



Socket contact

Model No.	Applicable wire range		Q'ty/ reel
	Conductor size AWG (mm ²)	Insulation O.D. (mm)	
SZND-002T-P0.5	#28 to #24 (0.08 to 0.21)	0.76 to 1.3 ^(Note)	23,000

Material and Finish

Copper alloy, tin-plated

RoHS2 compliance

Note: The insulation O.D. is ϕ 1.0 mm to ϕ 1.3 mm upon using a retainer.

Crimping machine

Contact	Crimping machine	Applicator	Crimp applicator with dies
SZND-002T-P0.5	AP-K2N	MKS-L	APLMK SZND/M002-05

Note: Contact JST for fully automatic crimping applicator.

Pin contact

Model No.	Applicable wire range		Q'ty/ reel
	Conductor size AWG (mm ²)	Insulation O.D. (mm)	
SZNDM-002T-P0.5	#28 to #24 (0.08 to 0.21)	0.76 to 1.3 ^(Note)	14,000

Material and Finish

Copper alloy, tin-plated

RoHS2 compliance

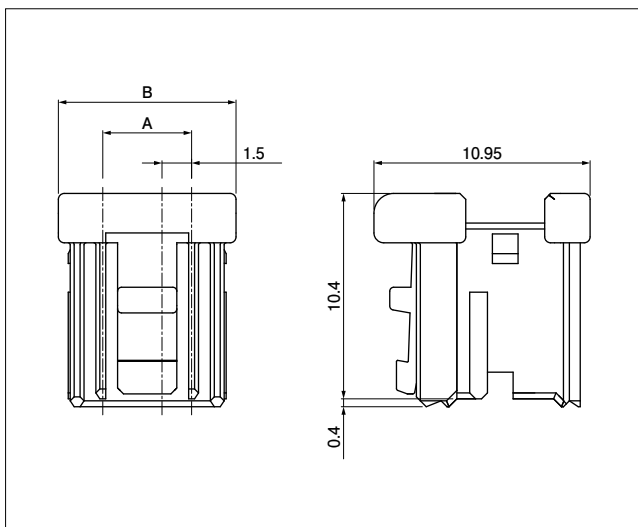
Note: The insulation O.D. is ϕ 1.0 mm to ϕ 1.3 mm upon using a retainer.

Crimping machine

Contact	Crimping machine	Applicator	Crimp applicator with dies
SZNDM-002T-P0.5	AP-K2N	MKS-L	APLMK SZND/M002-05

Note: Contact JST for fully automatic crimping applicator.

Plug housing (for socket contact)



No. of circuits	Model No.	Dimensions (mm)		Q'ty/bag
		A	B	
8	ZIMRP-08V-A-S	4.5	9.0	1,000
10	ZIMRP-10V-A-S	6.0	10.5	1,000

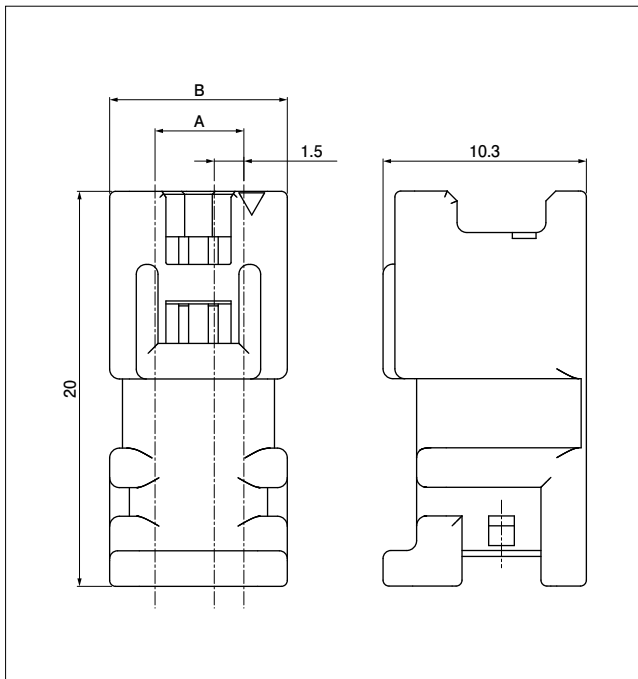
Material and Finish

PBT (Glass-filled), UL94V-0, natural

RoHS2 compliance

ZIM CONNECTOR

Receptacle housing (for pin contact)



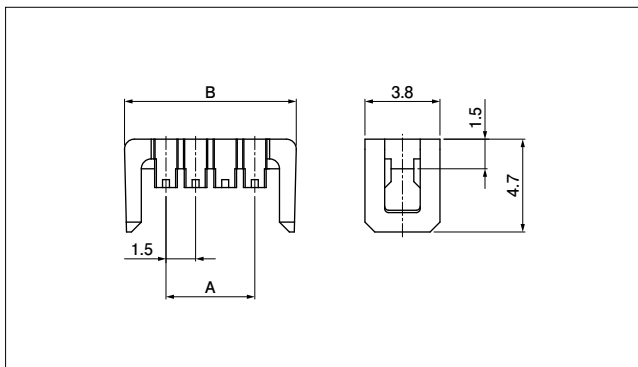
No. of circuits	Model No.	Dimensions (mm)		Q'ty/bag
		A	B	
8	ZIMRR-08VF-A-S	4.5	9.0	500
10	ZIMRR-10VF-A-S	6.0	10.5	500

Material and Finish

PBT (Glass-filled), UL94V-0, natural

RoHS2 compliance

Retainer



No. of circuits	Model No.	Dimensions (mm)		Q'ty/bag
		A	B	
8	ZNDS-08V-K	4.5	8.7	2,000
10	ZNDS-10V-K	6.0	10.2	2,000

Material and Finish

PA 66 (Glass-filled), UL94V-0, black

RoHS2 compliance

Model number allocation

Socket contact

S ZND - 002 T - P 0.5

Series name S ZND - 002 T - P 0.5

Contact form: S...Strip form

Applicable wire range: 002...AWG #28 to #24

Surface finish: T...Tin-plated

Material: P...Copper alloy

Terminal size 0.5

Pin contact

S ZND M - 002 T - P 0.5

Series name S ZND M - 002 T - P 0.5

Contact form: S...Strip form

Part name: M...Pin contact

Applicable wire range: 002...AWG #28 to #24

Surface finish: T...Tin-plated

Material: P...Copper alloy

Terminal size 0.5

Plug housing

ZIM RP - 08 V - A - S

Series name ZIM RP - 08 V - A - S

Part name: RP...Plug
(Retainer mountable type)

No. of circuits 08

Flammability: V...UL94V-0

Key pattern: A...Key pattern A

Color: S...Natural

Receptacle housing

ZIM RR - 08 V F - A - S

Series name ZIM RR - 08 V F - A - S

Part name: RR...Receptacle
(Retainer mountable type)

No. of circuits 08

Flammability: V...UL94V-0

Supplementary symbol: F...Without panel lock

Key pattern: A...Key pattern A

Color: S...Natural

Retainer

ZND S - 08 V - K

Series name ZND S - 08 V - K

Part name: S...Retainer

No. of circuits 08

Flammability: V...UL94V-0

Color: K...Black