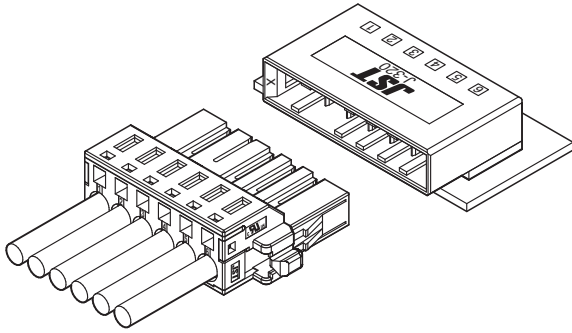


# J-FAT CONNECTOR

3.5/5/5.08/6.35/8/15 mm pitch/Connectors for PC board (Spring type terminal block)



Spring type connection structure makes a wire connection operation easy by using the open tool.

## Specifications

Current unit: A

Series name	No. of circuits	Current rating (AC/DC)								Voltage rating (AC/DC)	
		Wire size (AWG)									
		#8	#10	#12	#14	#16	#18	#20	#22		#24
Mini J-FAT	2	-	-	-	-	-	-	7	6	5	250 V
J-FAT-S-H	5	-	-	-	13.5	11.5	9.5	-	-	-	300 V
	9	-	-	-	12	11	9	-	-	-	
J-FAT-S-A	3	-	-	-	13	12.25	10.5	-	-	-	300 V
	4	-	-	-	12	11.25	10	-	-	-	
	5	-	-	-	11.25	10.5	9.5	-	-	-	
J-FAT-S-F	6	-	-	-	9.75	9.75	9	-	-	-	600 V
J-FAT-S-G	4	-	-	-	11.25	11.25	10	-	-	-	
J-FAT-S-4300	3	-	-	20	17	15	-	-	-	-	
J-FAT-S-XL	3	-	23	21	18	15	-	-	-	-	600 V
	6	-	21	18	16	14	-	-	-	-	
	7	-	21	18	16	13	-	-	-	-	
J-FAT-S-P	3	43	30	21	18	15	-	-	-	-	

Note : The above specifications may differ from Safety Standard.

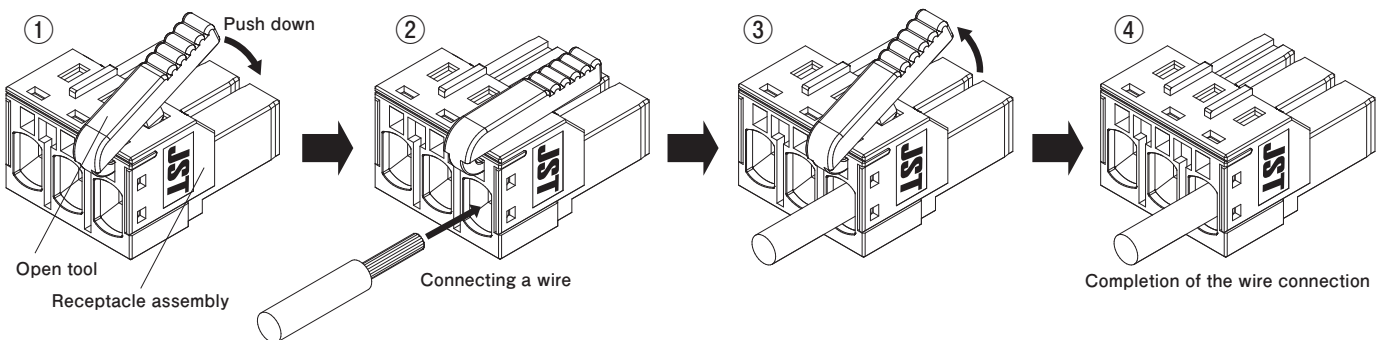
\* In using the products, refer to "Handling Precaution for Terminals and Connectors" described on our website (Technical documents of Product information page).

\* RoHS2 compliance

\* Dimensional unit: mm

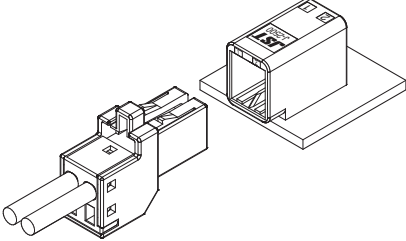
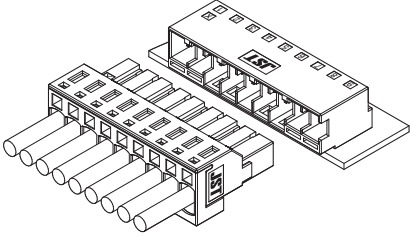
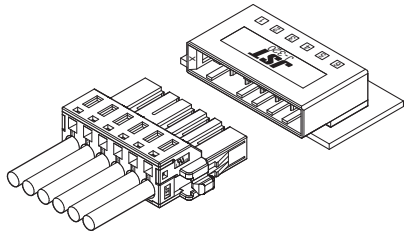
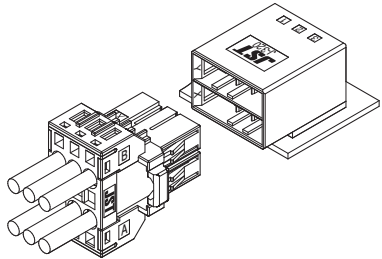
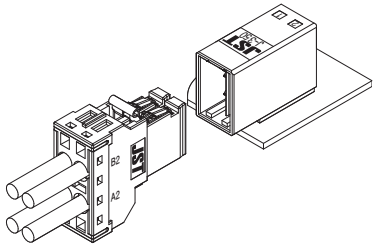
\* Contact JST for details.

## How to connect a wire

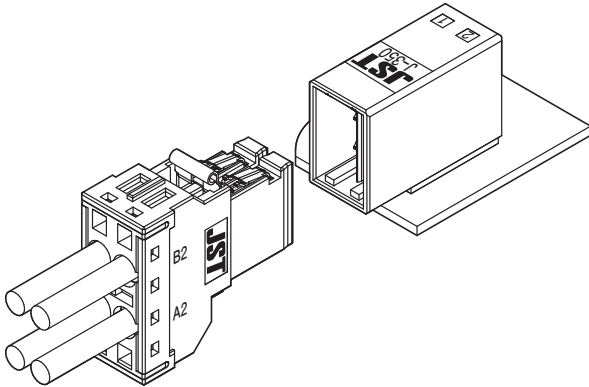


# J-FAT CONNECTOR

## J-FAT connector products line-up

Rated voltage	Pitch between circuits	Series name	Applicable header	No. of circuits	Applicable wire
250 V	3.5 mm	Mini J-FAT	J2500 Header		AWG#24 to #20
				2	
300 V	5 mm	J-FAT-S-H5.0	J-FAT-S-H5.0 Header		AWG#18 to #14
				5, 9	
	5.08 mm	J-FAT-S-A	J320S/J320M Header		
				3, 4, 5, 6	
J-FAT-S-F	J320M Header				
		6			
J-FAT-S-G	J350D Header				
4					

# J-FAT CONNECTOR/S-G SERIES



## Standards

UL : Recognized E 239668

\*Contact JST for details about the above Safety standard.

## Specifications

• Current rating: AC/DC

Current unit: A

Wire size (AWG)		
# 14	# 16	# 18
11.25	11.25	10

• Voltage rating: 300 VAC/DC

• Temperature range: -55°C to +105°C

(including temperature rise in applying electrical current)

• Contact resistance: Initial value/ 20 mΩ max.

After environmental tests/ 40 mΩ max.

• Insulation resistance: Initial value/ 1,000 MΩ min.

After environmental tests/ 100 MΩ min.

• Withstanding voltage: 2,200 VAC/minute

• Applicable wire: AWG #18 to #14

• Applicable PC board thickness: 1.6 to 2.4 mm

Note: The above specifications may differ from Safety Standard.

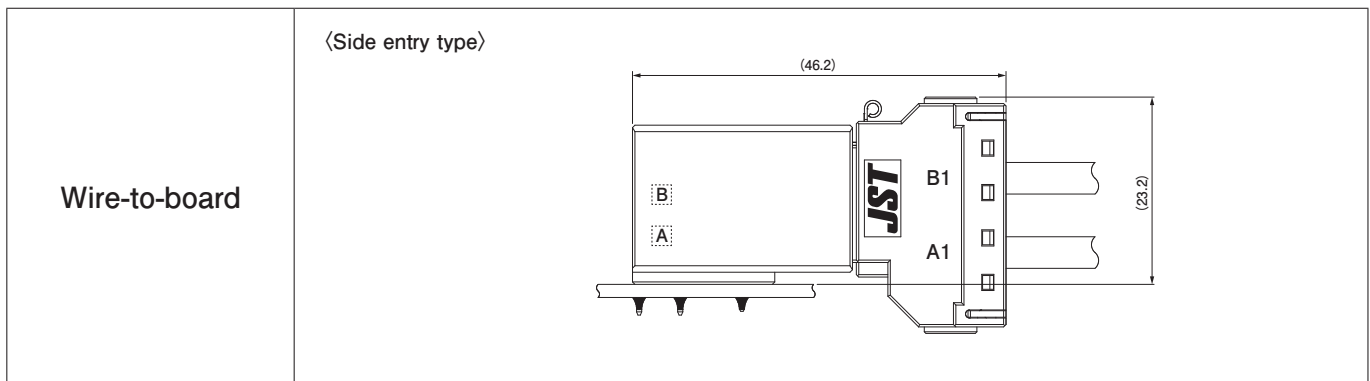
\* In using the products, refer to "Handling Precaution for Terminals and Connectors" described on our website (Technical documents of Product information page).

\* RoHS2 compliance

\* Dimensional unit: mm

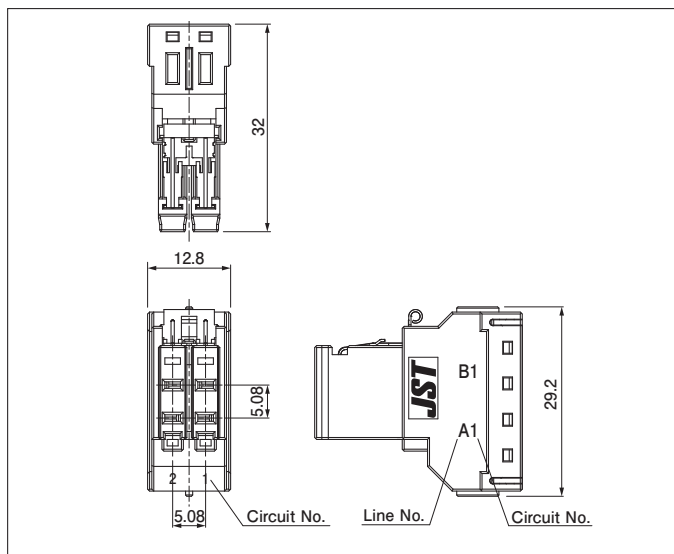
\* Contact JST for details.

## Assembly layout



# J-FAT CONNECTOR/S-G SERIES

## Receptacle assembly



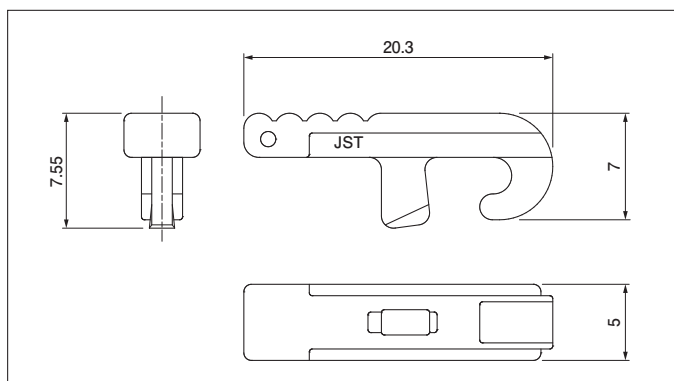
No. of circuits	Keying	Model No.	Q'ty/box
4	—	04JFAT-SAGG-G-KK	200

### Material and Finish

Tab contact: Copper alloy, nickel-undercoated, selective gold-plated  
Housing: Glass-filled PBT, UL94V-0, black  
Cover: Glass-filled PBT, UL94V-0, black  
Spring: Stainless  
Lock lever: Stainless

RoHS2 compliance

## Open tool



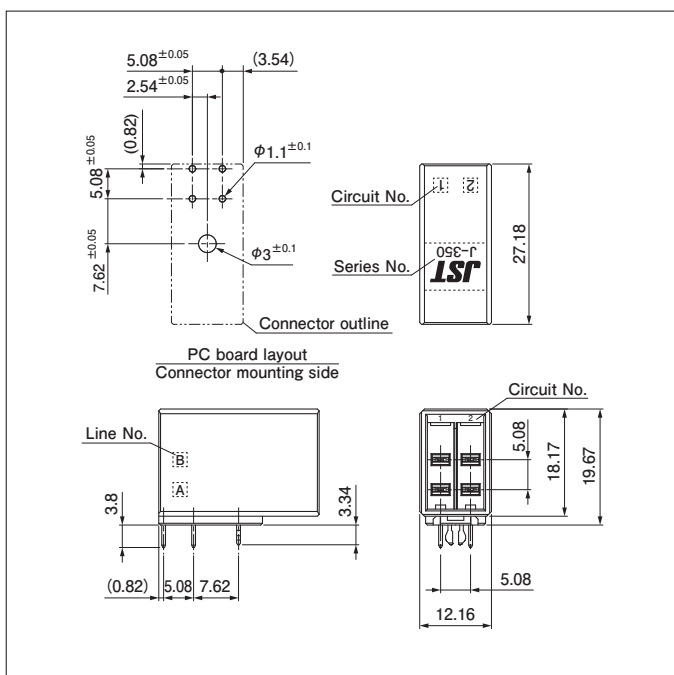
Model No.	Q'ty/bag
J-FAT-OT (N)	1,000

### Material and Finish

Glass-filled PA

RoHS2 compliance

## Header (Side entry type)



No. of circuits	Keying	Model No.	Q'ty/box
4	—	SC04B-F35DK-GGR	152

### Material and Finish

Tab contact: Copper alloy, nickel-undercoated, selective gold-plated  
Housing: Glass-filled PBT, UL94V-0, black  
Reinforcement: Copper alloy, nickel-undercoated, selective gold-plated

RoHS2 compliance This product displays (LF)(AU) on a label.