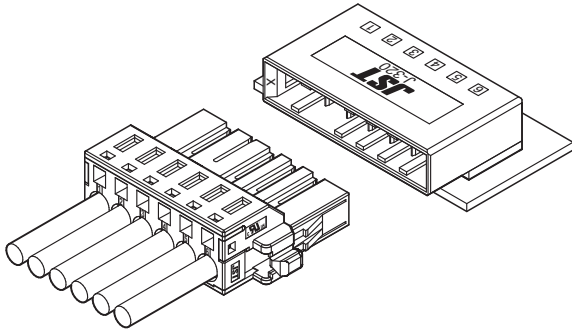


J-FAT CONNECTOR

3.5/5/5.08/6.35/8/15 mm pitch/Connectors for PC board (Spring type terminal block)



Spring type connection structure makes a wire connection operation easy by using the open tool.

Specifications

Current unit: A

Series name	No. of circuits	Current rating (AC/DC)								Voltage rating (AC/DC)	
		Wire size (AWG)									
		#8	#10	#12	#14	#16	#18	#20	#22		#24
Mini J-FAT	2	-	-	-	-	-	-	7	6	5	250 V
J-FAT-S-H	5	-	-	-	13.5	11.5	9.5	-	-	-	
J-FAT-S-A	9	-	-	-	12	11	9	-	-	-	300 V
	3	-	-	-	13	12.25	10.5	-	-	-	
	4	-	-	-	12	11.25	10	-	-	-	
5	-	-	-	11.25	10.5	9.5	-	-	-		
6	-	-	-	10.5	9.75	9	-	-	-		
J-FAT-S-F	6	-	-	-	9.75	9.75	9	-	-	-	
J-FAT-S-G	4	-	-	-	11.25	11.25	10	-	-	-	600 V
J-FAT-S-4300	3	-	-	20	17	15	-	-	-	-	
J-FAT-S-XL	3	-	23	21	18	15	-	-	-	-	
	6	-	21	18	16	14	-	-	-	-	
	7	-	21	18	16	13	-	-	-	-	
J-FAT-S-P	3	43	30	21	18	15	-	-	-	-	

Note : The above specifications may differ from Safety Standard.

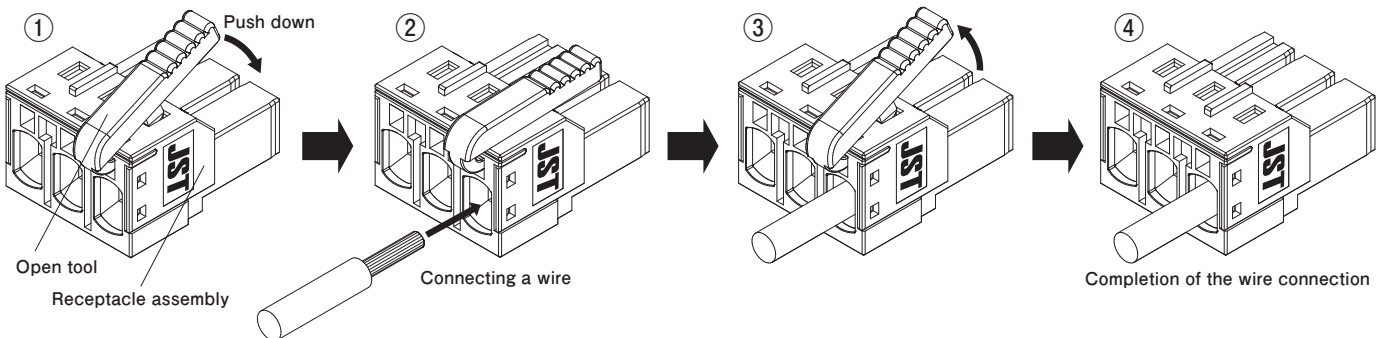
* In using the products, refer to "Handling Precaution for Terminals and Connectors" described on our website (Technical documents of Product information page).

* RoHS2 compliance

* Dimensional unit: mm

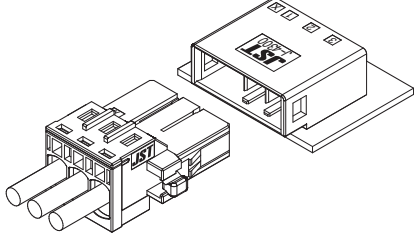
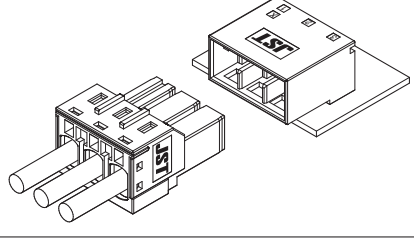
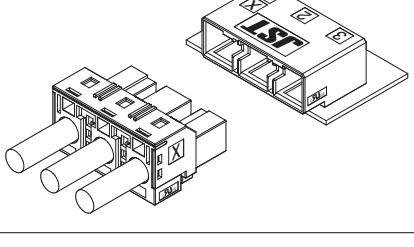
* Contact JST for details.

How to connect a wire

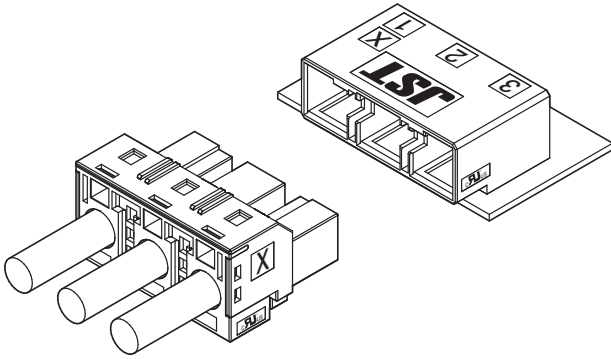


J-FAT CONNECTOR


J-FAT connector products line-up

Rated voltage	Pitch between circuits	Series name	Applicable header	No. of circuits	Applicable wire
600 V	6.35 mm	J-FAT-S-4300	J4300 Header	 3	AWG#16 to #12
	8 mm	J-FAT-S-XL	J-FAT-S-XL Header	 3, 6, 7	AWG#16 to #10
	15 mm	J-FAT-S-P	J-FAT-S-P Header	 3	AWG#16 to #8

J-FAT CONNECTOR/S-P SERIES



■ Standards

 : Recognized E 239668

*Contact JST for details about the above Safety standard.

■ Specifications

• Current rating: AC/DC

Current unit: A

Wire size (AWG)				
# 8	# 10	# 12	# 14	# 16
43	30	21	18	15

• Voltage rating: 600 VAC/DC

• Temperature range: -55°C to +105°C

(including temperature rise in applying electrical current)

• Contact resistance: Initial value/ 5 mΩ max.

After environmental tests/ 10 mΩ max.

• Insulation resistance: Initial value/ 1,000 MΩ min.

After environmental tests/ 100 MΩ min.

• Withstanding voltage: 2,200 VAC/minute

• Applicable wire: AWG #16 to #8

• Applicable PC board thickness: 1.6 mm

Note: The above specifications may differ from Safety Standard.

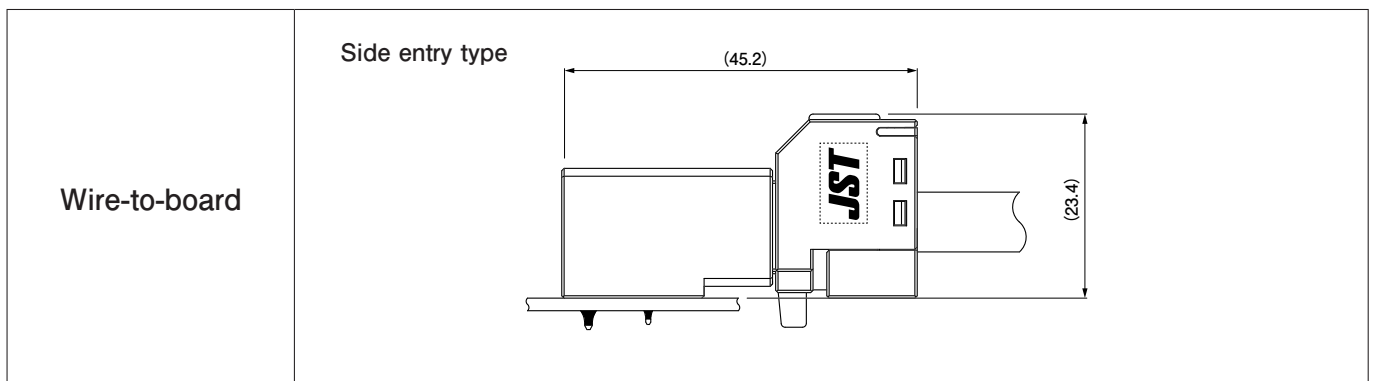
* In using the products, refer to “Handling Precaution for Terminals and Connectors” described on our website (Technical documents of Product information page).

* RoHS2 compliance

* Dimensional unit: mm

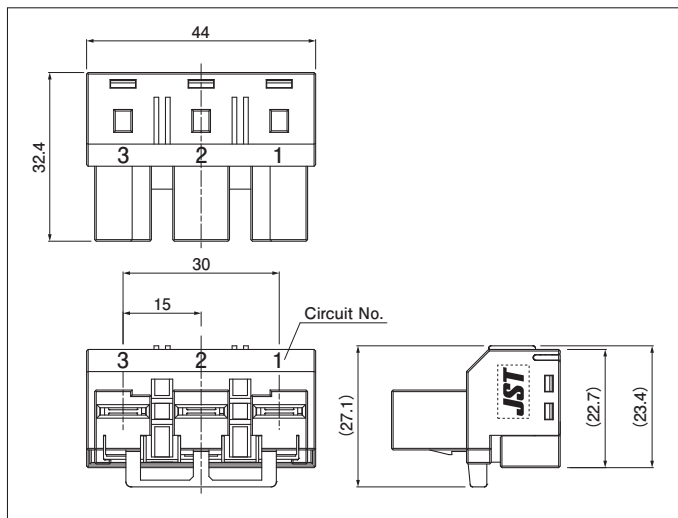
* Contact JST for details.

Assembly layout



J-FAT CONNECTOR/S-P SERIES

Receptacle assembly



No. of circuits	Keying	Model No.	Q'ty/box
3	X	03JFAT-SAXGDK-P15	84
	Y	03JFAT-SAYGDK-P15	84
	Z	03JFAT-SAZGDK-P15	84
	F	03JFAT-SAFGDK-P15	84

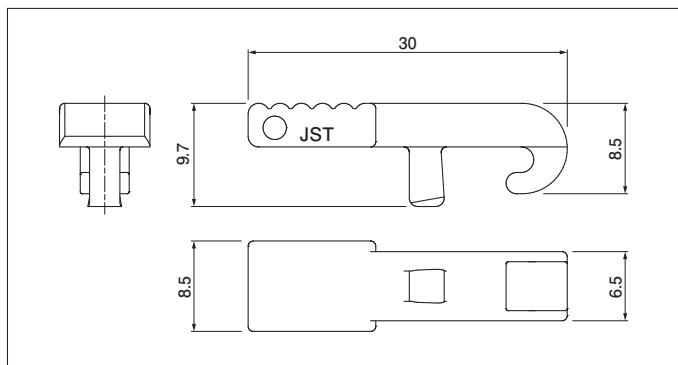
Material and Finish

Tab contact: Copper alloy, nickel-undercoated, selective gold-plated
 Housing: Glass-filled PBT, UL94V-0, black
 Cover: Glass-filled PBT, UL94V-0, black
 Spring: Stainless

RoHS2 compliance

Note: Enable to mate F-Keying with all of the X-, Y-, and Z-Keying.

Open tool



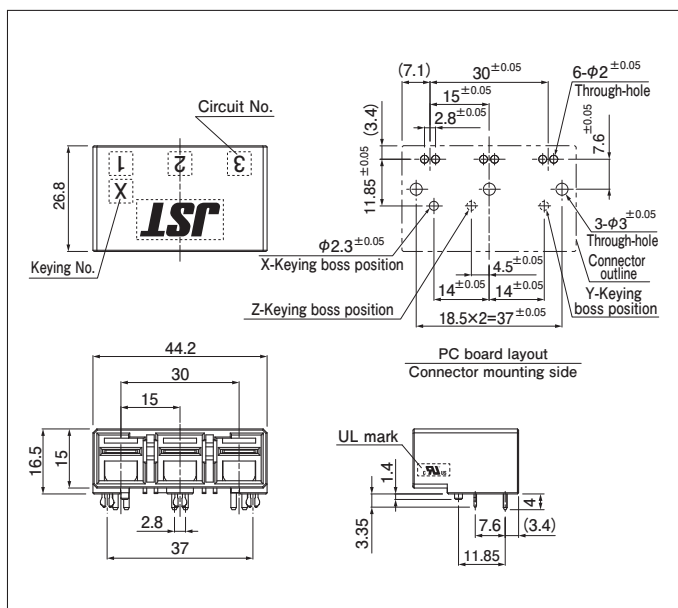
Model No.	Q'ty/bag
J-FAT-OT-P	500

Material and Finish

Glass-filled PA

RoHS2 compliance

Header (Side entry type)



No. of circuits	Keying	Model No.	Q'ty/box
3	X	SC03B-JTSP15SK-GEXKR	126
	Y	SC03B-JTSP15SK-GEYKR	126
	Z	SC03B-JTSP15SK-GEZKR	126

Material and Finish

Tab contact: Copper alloy, nickel-undercoated, selective gold-plated
 Housing: Glass-filled PBT, UL94V-0, black
 Reinforcement: Copper alloy, nickel-undercoated, selective gold-plated

RoHS2 compliance

Model number allocation

Receptacle assembly

03 JFAT - SA Y GF KK - A - KK

<u>No. of circuits</u>						
<u>Connector name</u>						
<u>Mating method: SA: Normal type SB: Reverse type</u>						
<u>Keying: X...X-Keying, Y...Y-Keying, Z...Z-Keying F...F-Keying, XY...XY-Keying Blank...Without Keying No.</u>						
<u>Surface finish: GD...Nickel-undercoated, 0.2 μm selective gold-plated GF, GG...Nickel-undercoated, 0.38 μm selective gold-plated</u>						
<u>Housing color: K, KK, Blank...Black S...White KS...Black (Only cover is white.)</u>						
<u>Series: A, F, G, H5.0, XL, P15, 43, Blank (for Mini J-FAT series)</u>						
<u>Housing color: KK (for S-F and S-G series) ...Black</u>						

Header

S 09 B - JTSH5.0 S K - GE X KR

<u>Assembly style: S...Side SR...Side Reverse SC...Side Center locking</u>						
<u>No. of circuits</u>						
<u>Product name: Header</u>						
<u>Series: J25, F32, F35, J43, JTSH5.0, JTSL, JTSP15</u>						
<u>Rows: S...Single-row D...Dual-row (Dual-row with 5.08 mm line pitch) M...Dual-row (Dual-row with 7.62 mm line pitch)</u>						
<u>Color indication: K...Black S...White</u>						
<u>Surface finish: GSAN...Nickel-undercoated, 0.1 μm selective gold-plated GE...Nickel-undercoated, 0.2 μm selective gold-plated GG, GH...Nickel-undercoated, 0.38 μm selective gold-plated</u>						
<u>Keying: X...X-Keying, Y...Y-Keying, Z...Z-Keying, XY...XY-Keying Blank...Without Keying No.</u>						
<u>Packaging form: R, KR...Tray</u>						